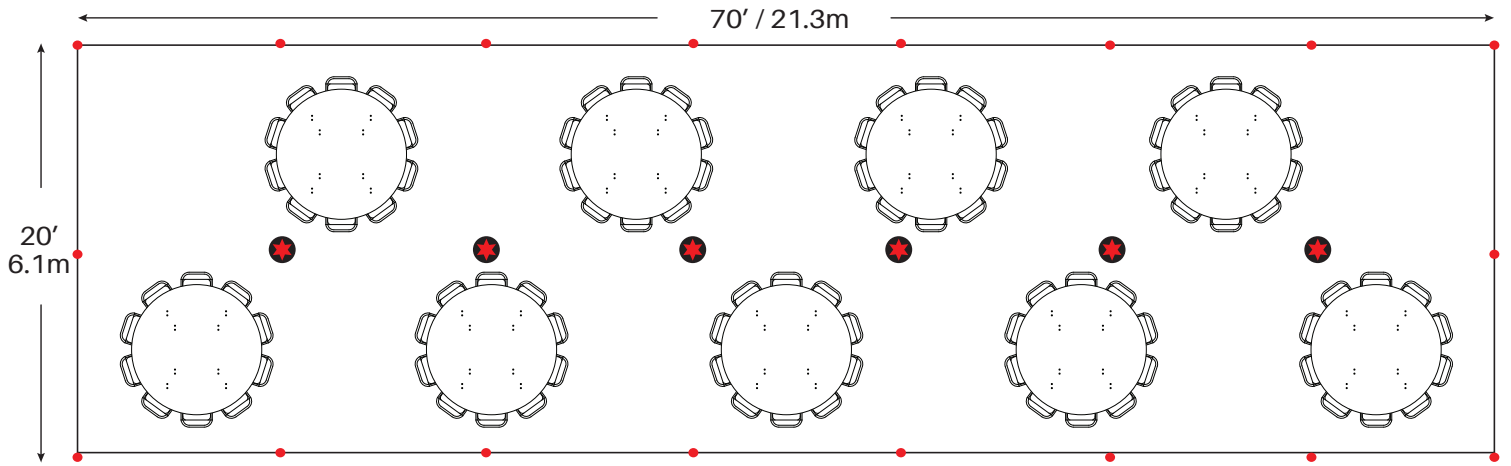
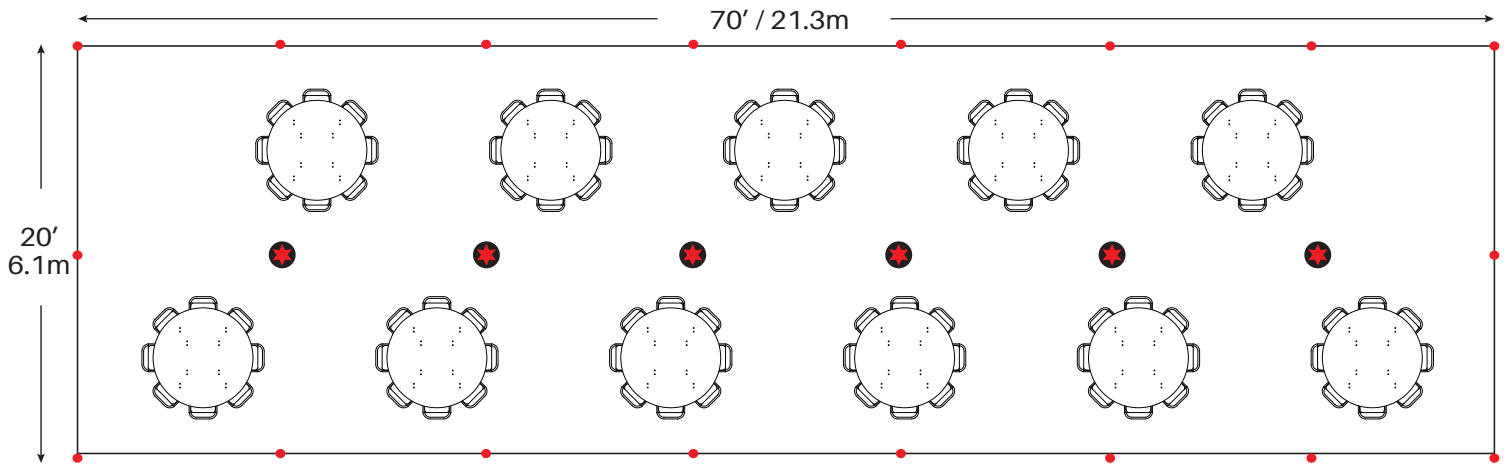


Event & Party Layout

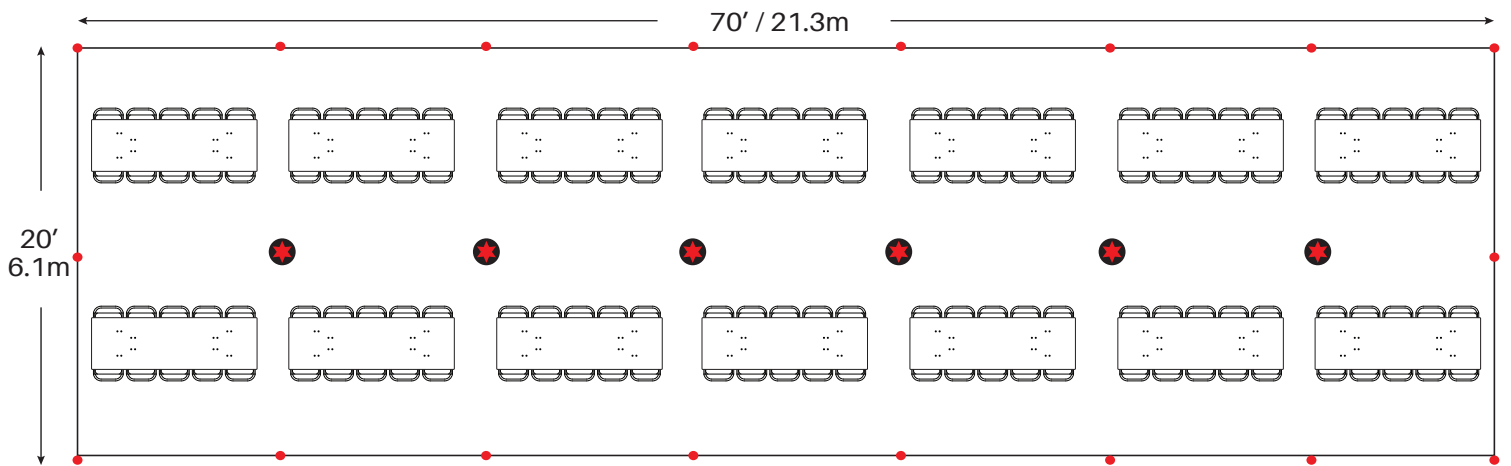
20' x 70' / 6.1m x 21.3m Pole Tent



9 - 72" Round Tables
90 - Chairs



11 - 60" Round Tables
88 - Chairs

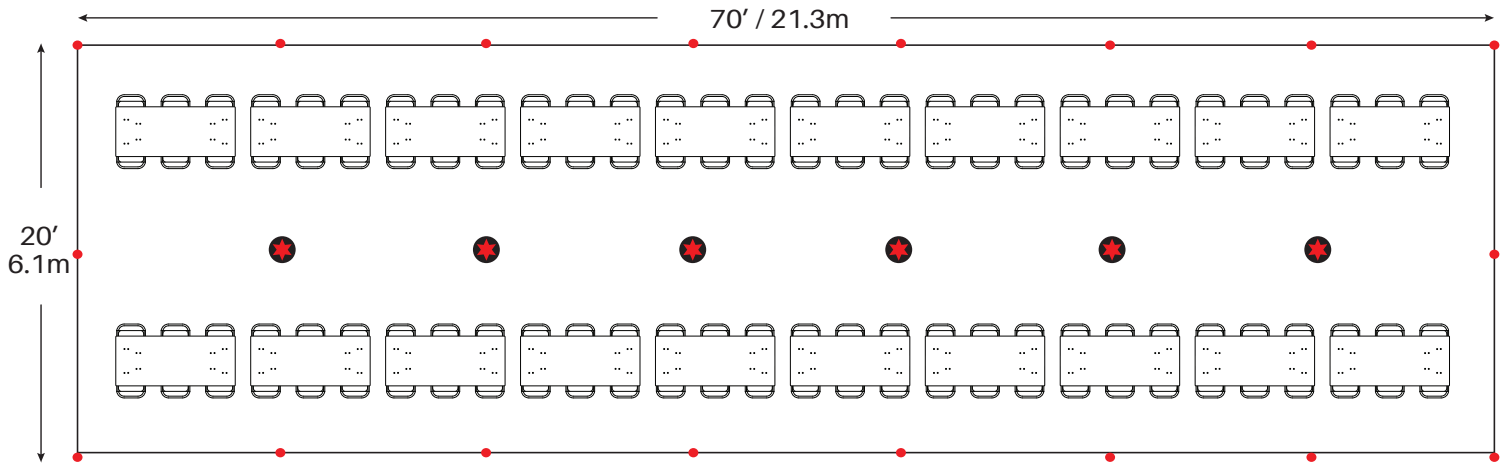


14 - 8' Banquet Tables
140 - Chairs

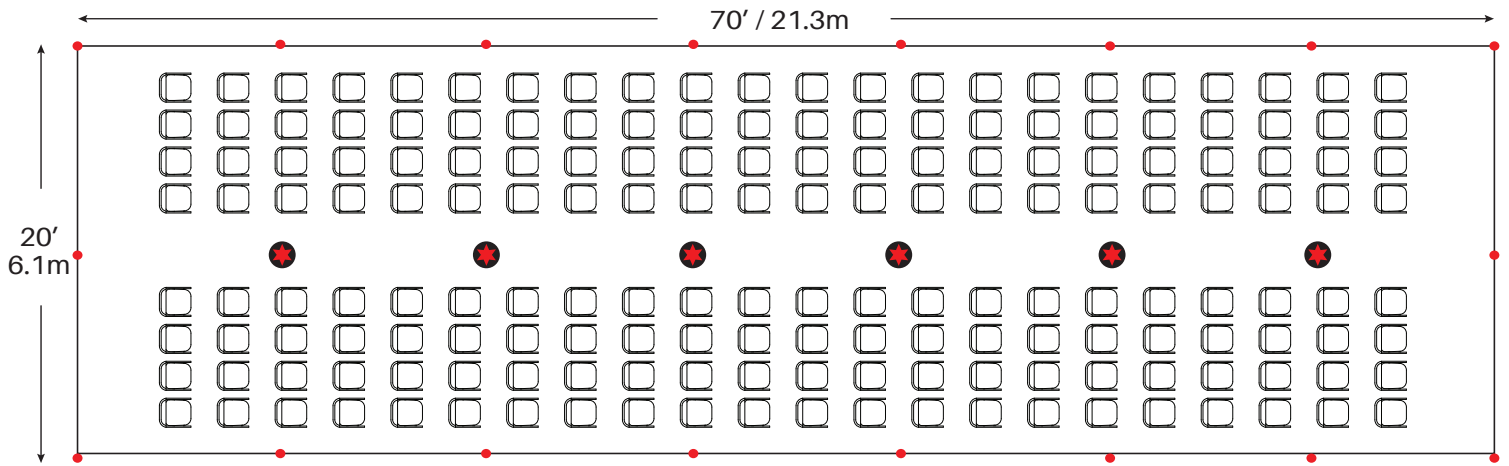
★ = Center Pole ● = Legs
Minimum Seating Layouts

Event & Party Layout

20' x 70' / 6.1m x 21.3m Pole Tent



20 - 6' Banquet Tables
120 - Chairs



Cathedral Seating - 176 Chairs

★ = Center Pole ● = Legs
Minimum Seating Layouts