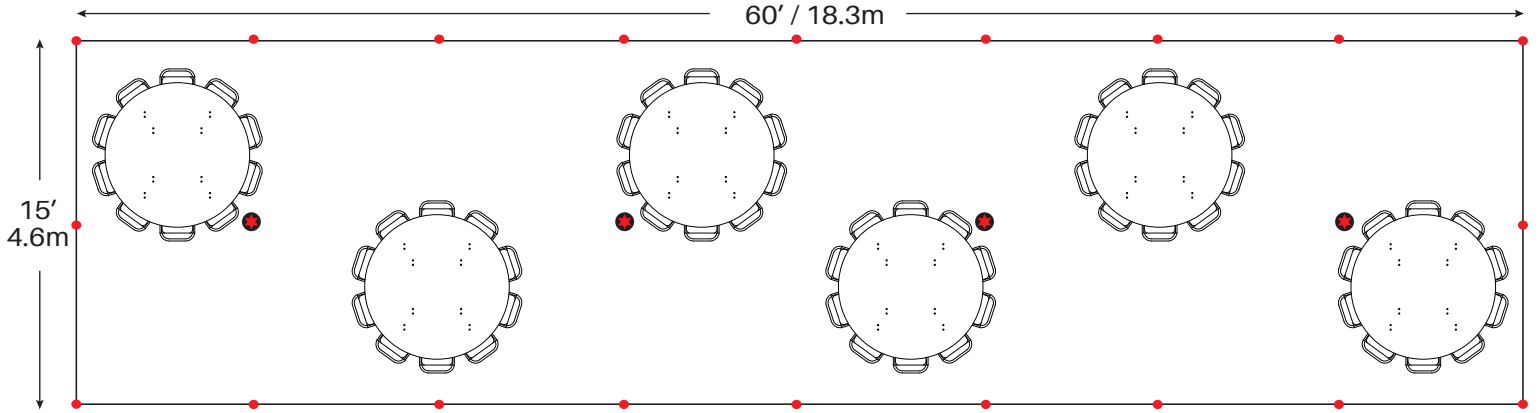
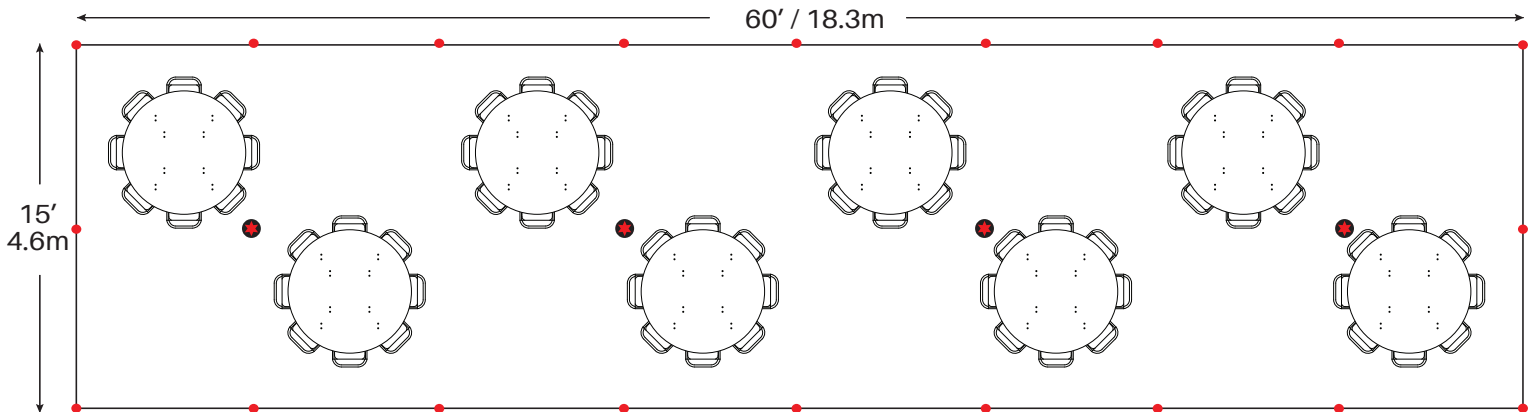


# Event & Party Layout

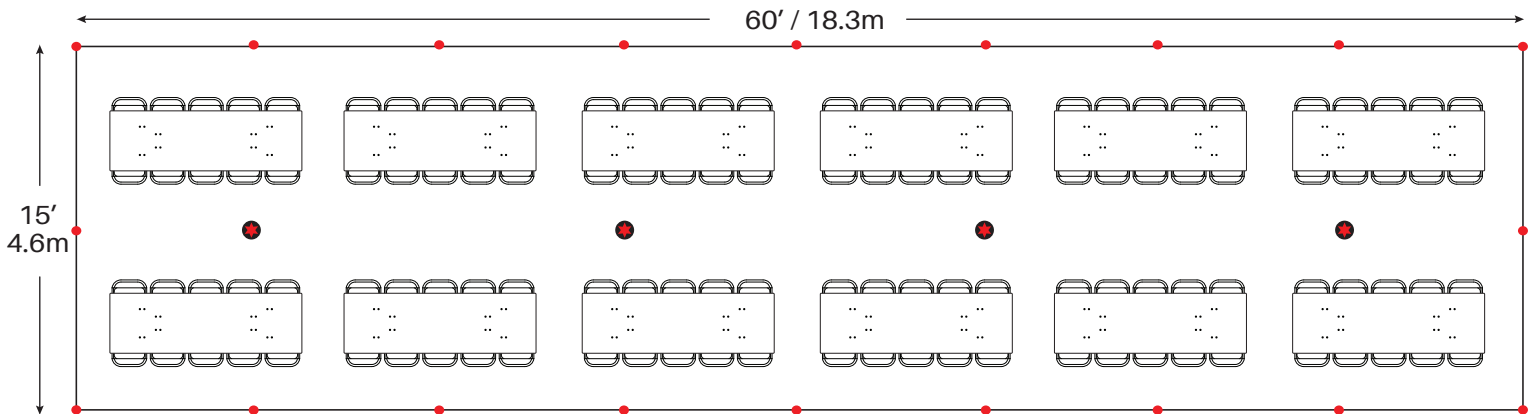
15' x 60' / 4.6m x 18.3m Pole Tent



6 - 72" Round Tables  
60 - Chairs



8 - 60" Round Tables  
64 - Chairs

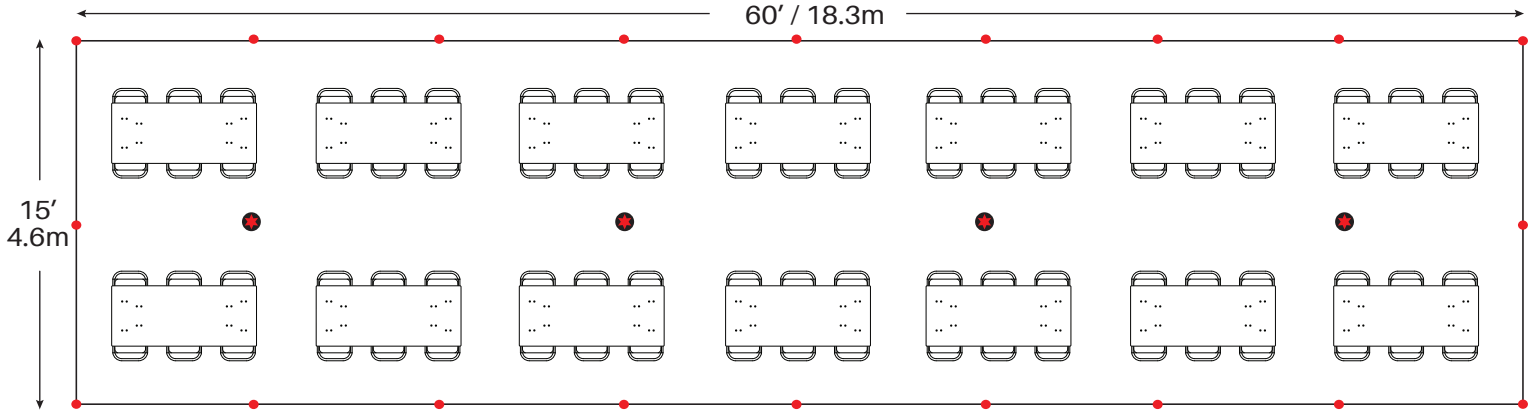


12 - 8' Banquet Tables  
120 - Chairs

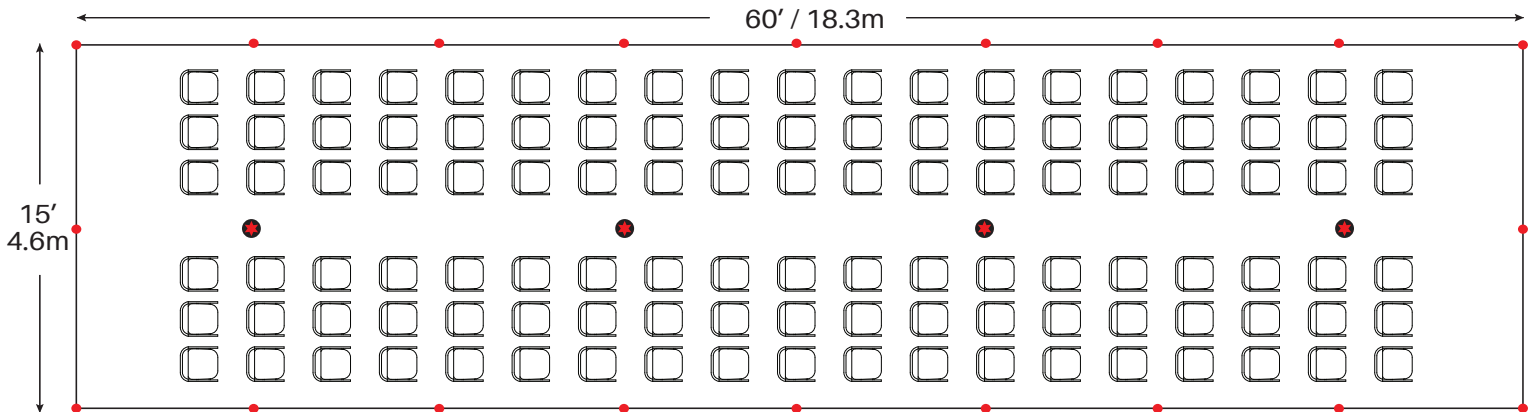
★ = Center Pole   ● = Legs  
\*Minimum Seating Layouts\*

# Event & Party Layout

15' x 60' / 4.6m x 18.3m Pole Tent



14 - 6' Banquet Tables  
84 - Chairs



Cathedral Seating - 114 Chairs

★ = Center Pole ● = Legs  
\*Minimum Seating Layouts\*