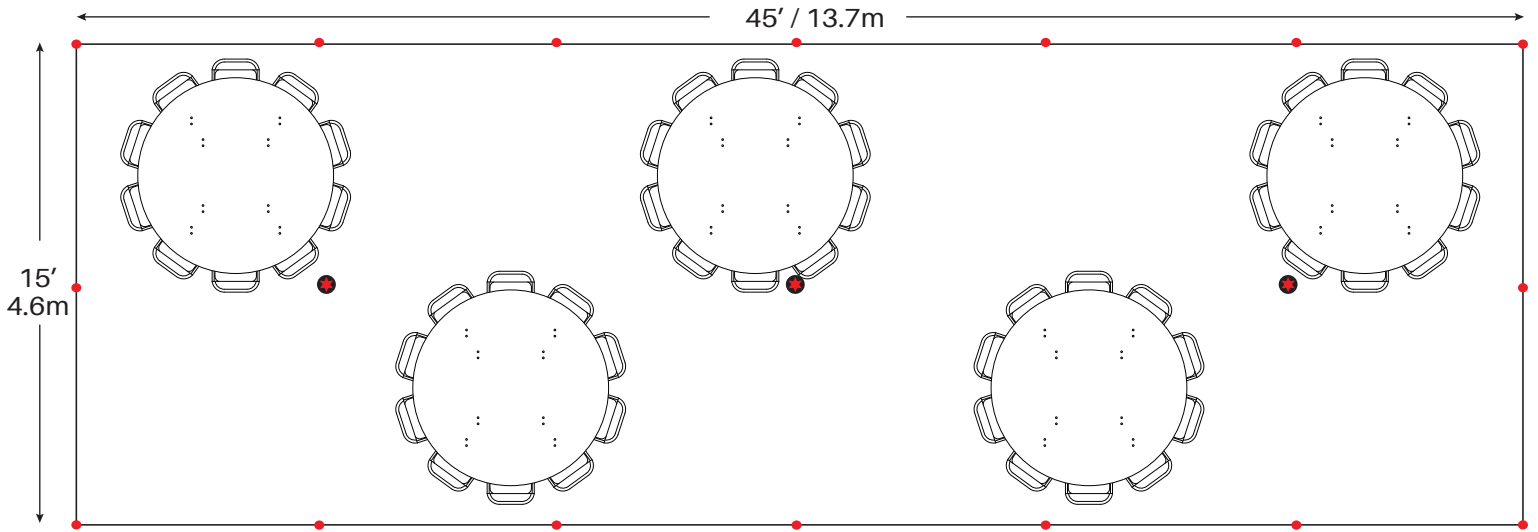
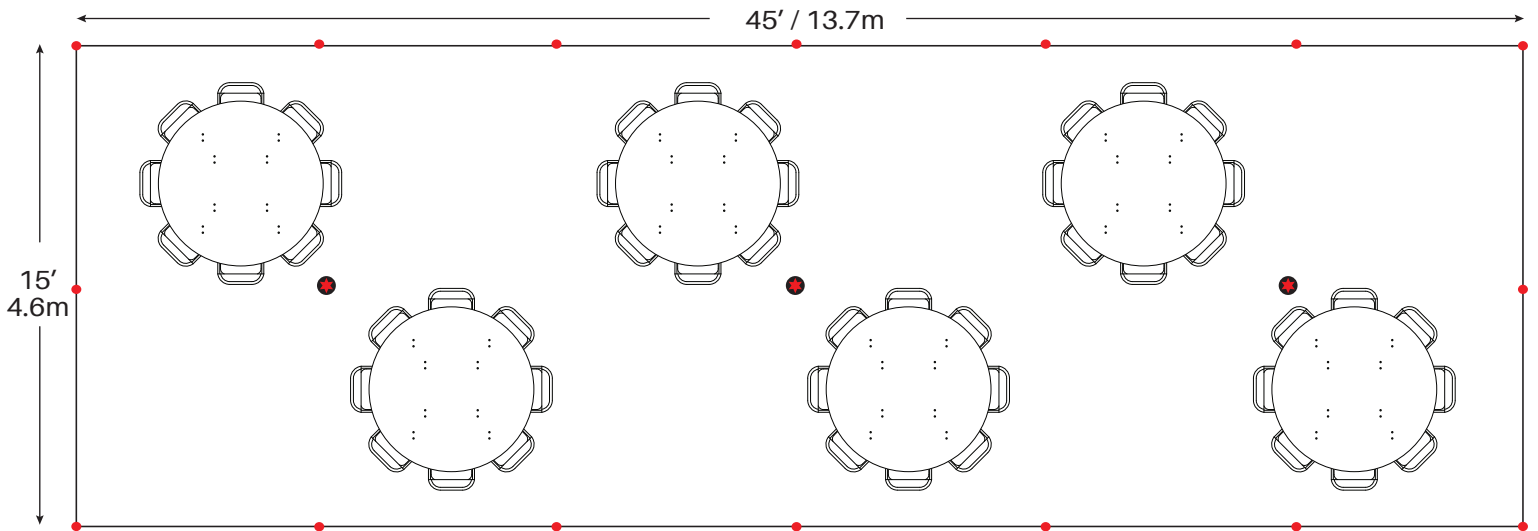


Event & Party Layout

15' x 45' / 4.6m x 13.7m Pole Tent



5 - 72" Round Tables
50 - Chairs

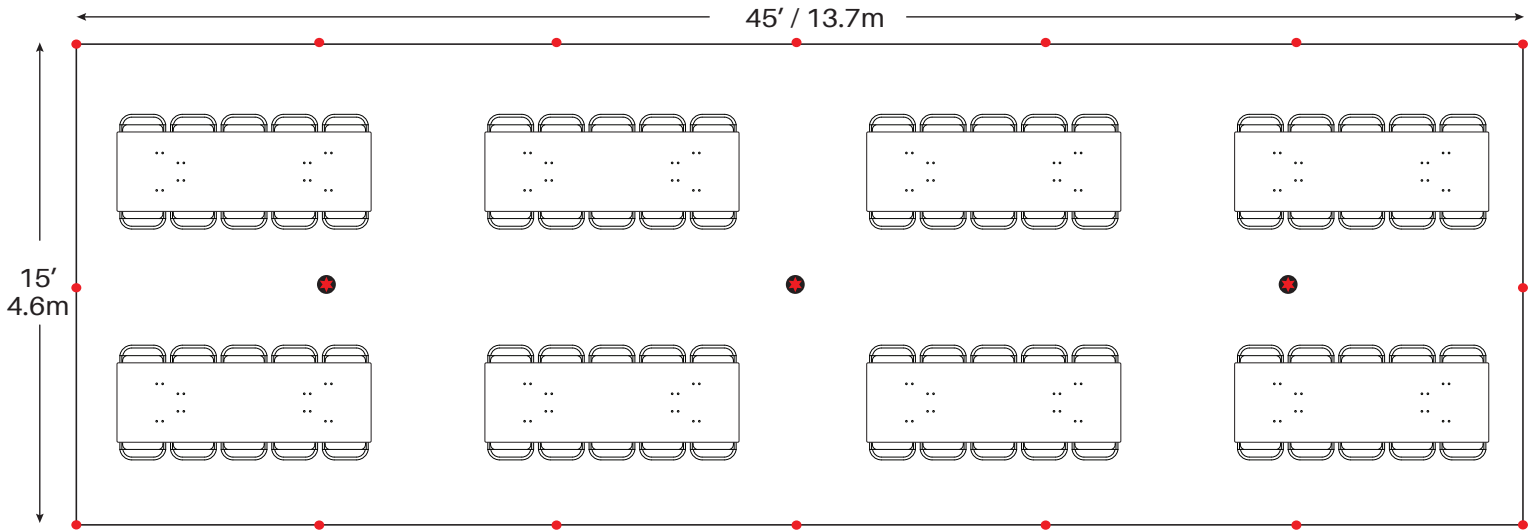


6 - 60" Round Tables
48 - Chairs

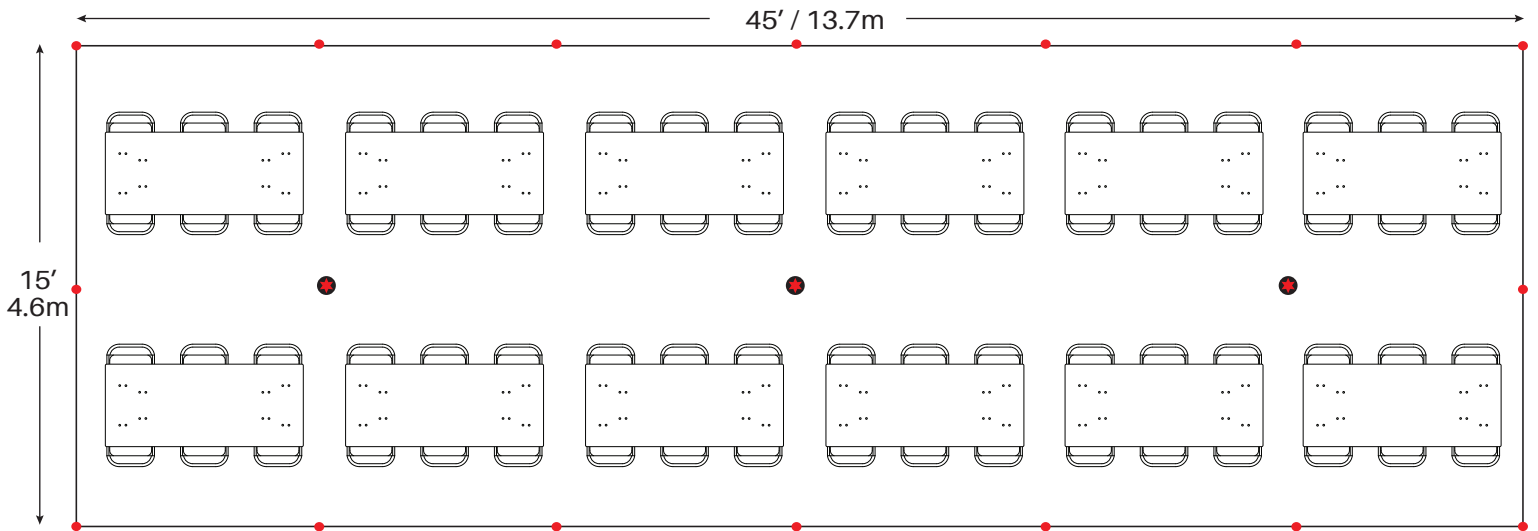
⊗ = Center Pole ● = Legs
Minimum Seating Layouts

Event & Party Layout

15' x 45' / 4.6m x 13.7m Pole Tent

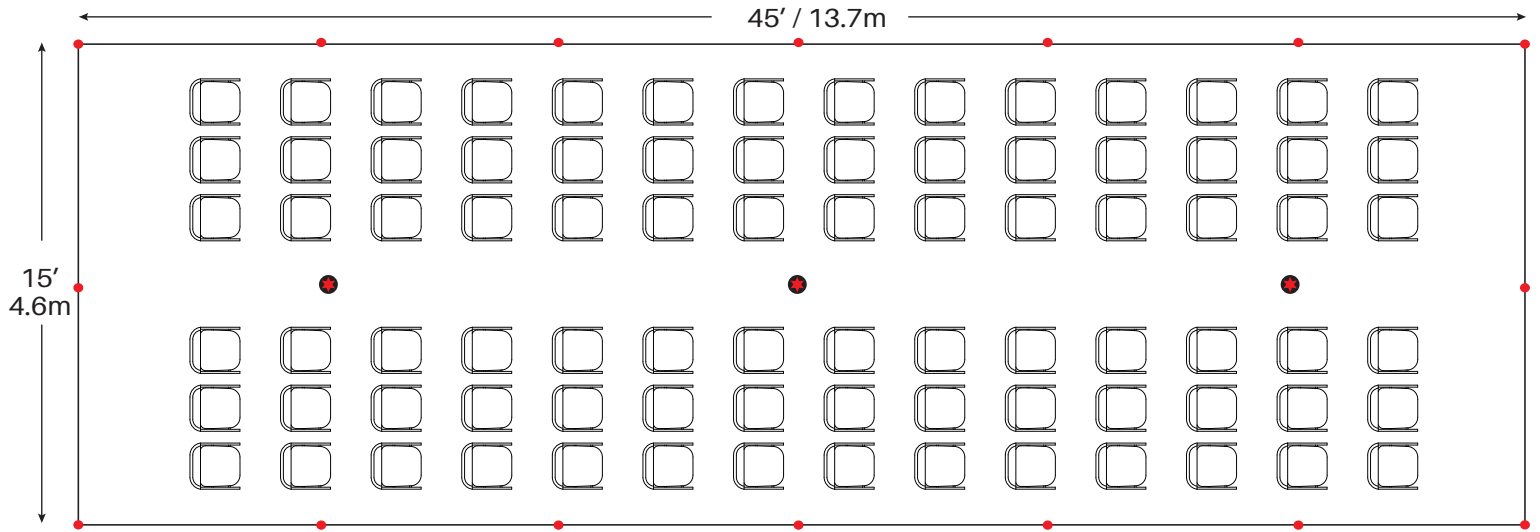


8 - 8' Banquet Tables
80 - Chairs



12 - 6' Banquet Tables
72 - Chairs

★ = Center Pole ● = Legs
Minimum Seating Layouts



Cathedral Seating - 84 Chairs

★ = Center Pole ● = Legs
Minimum Seating Layouts