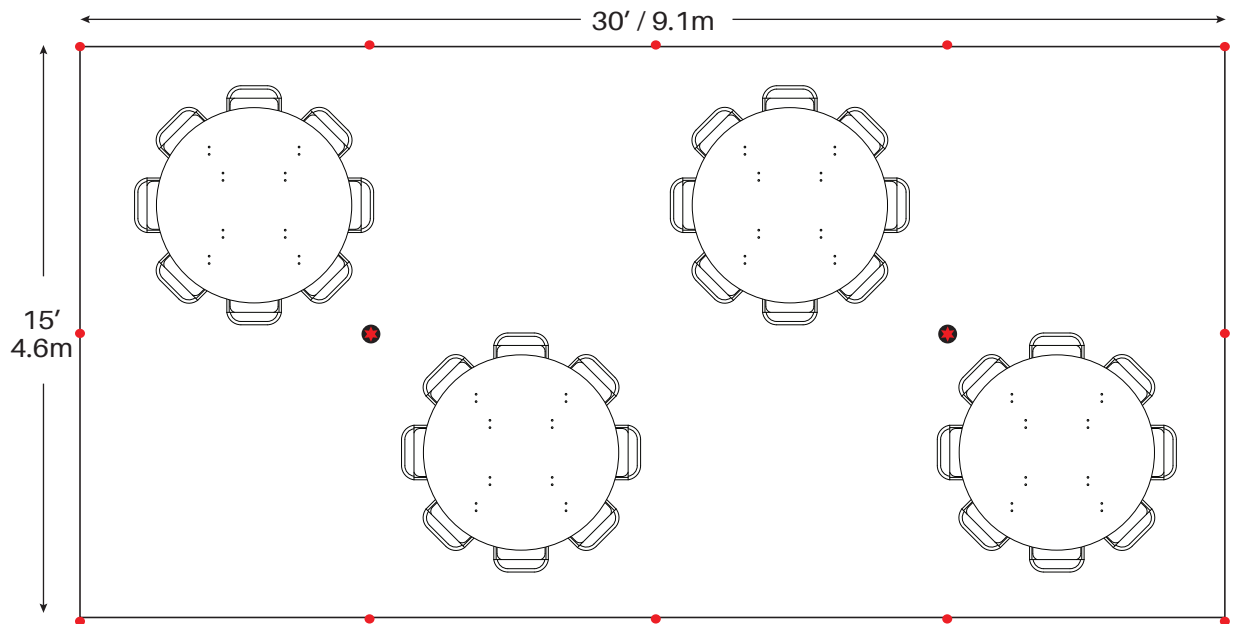
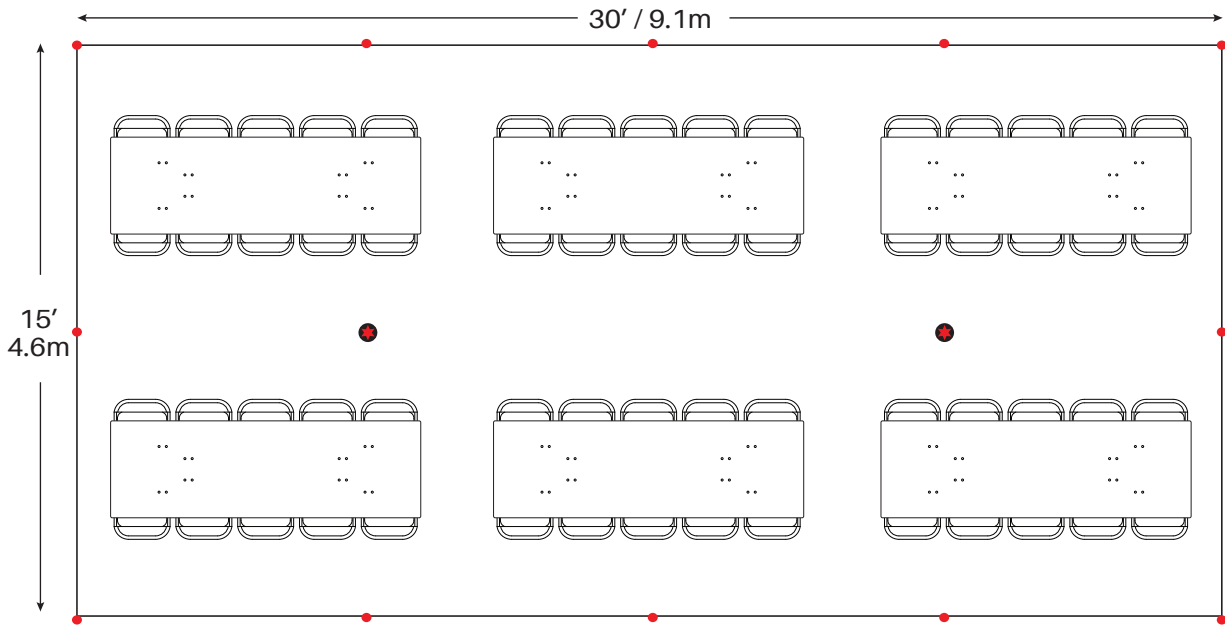


3 - 72" Round Tables  
30 - Chairs

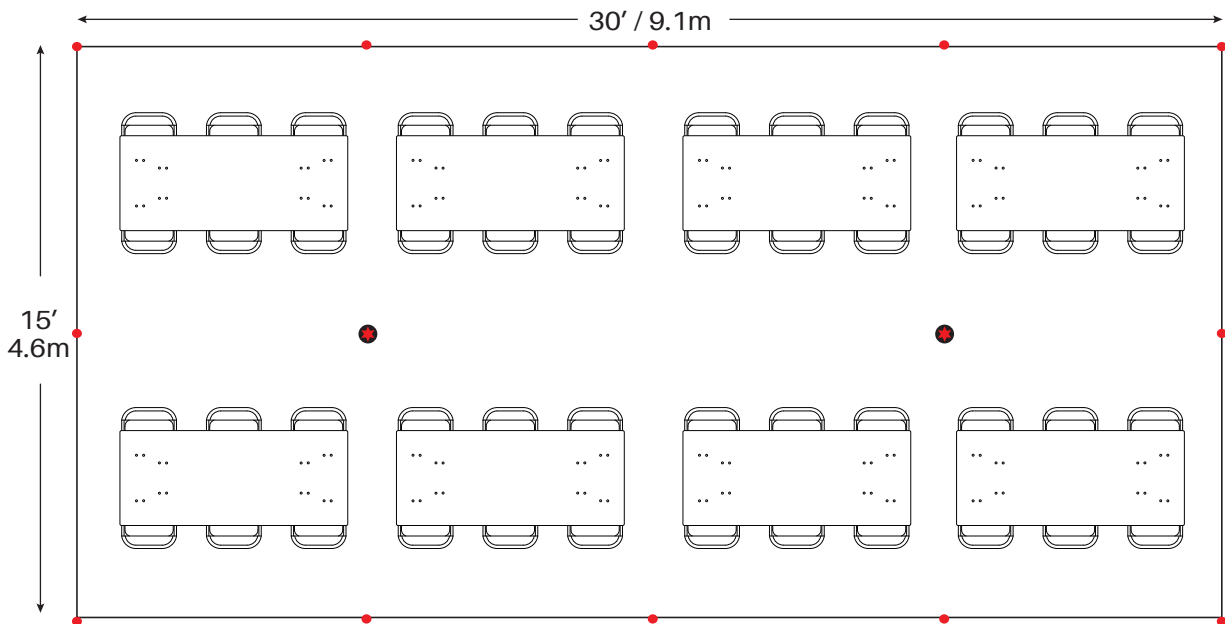


4 - 60" Round Tables  
32 - Chairs

● = Center Pole ● = Legs  
\*Minimum Seating Layouts\*

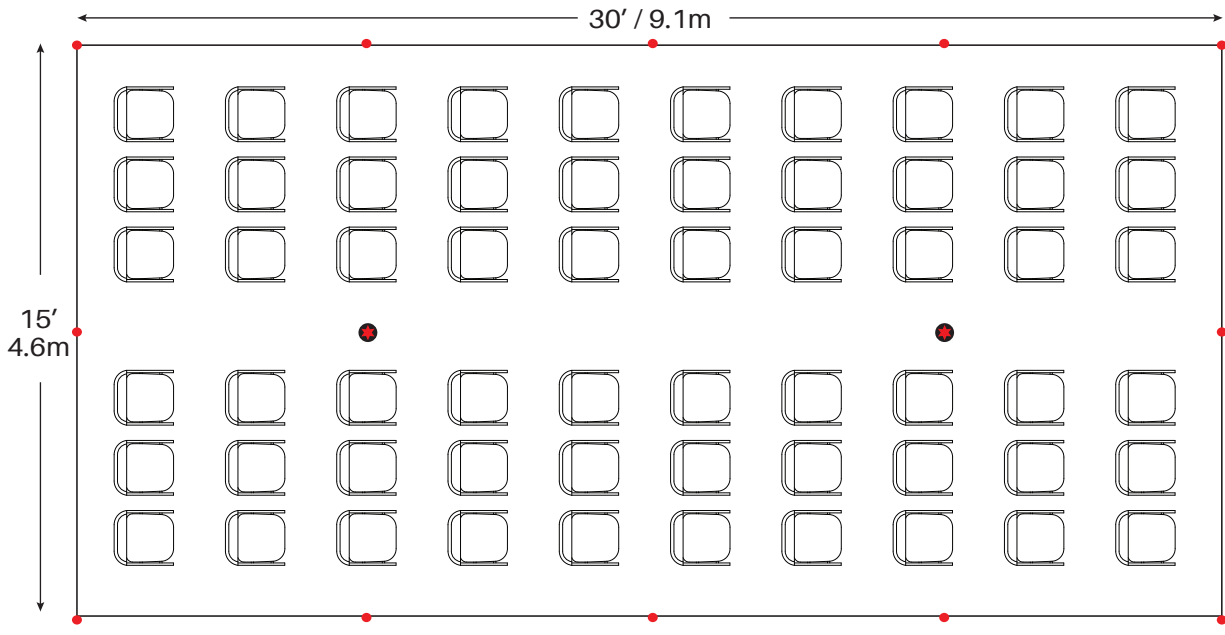


6 - 8' Banquet Tables  
60 - Chairs



8 - 6' Banquet Tables  
48 - Chairs

● = Center Pole ● = Legs  
\*Minimum Seating Layouts\*



Cathedral Seating - 60 Chairs

● = Center Pole ● = Legs  
\*Minimum Seating Layouts\*