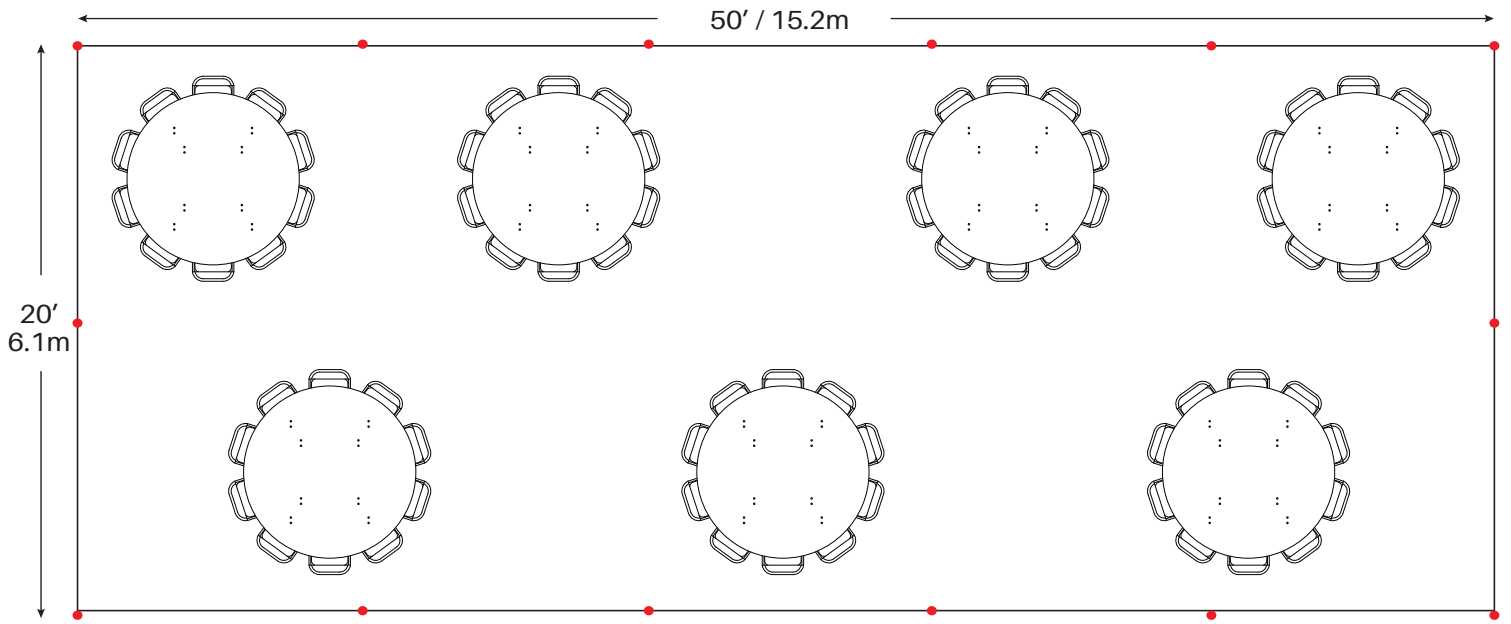
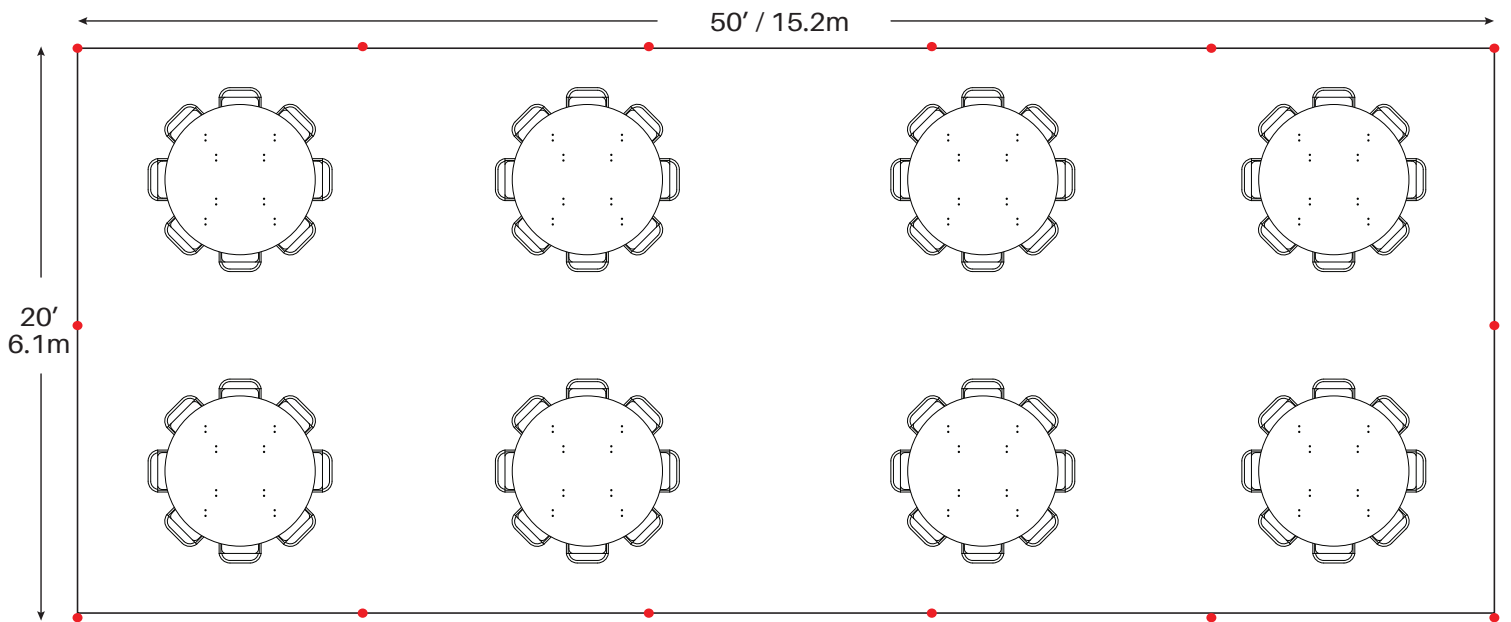


Event & Party Layout

20' x 50' / 6.1m x 15.2m Frame Tent



7 - 72" Round Tables
70 - Chairs



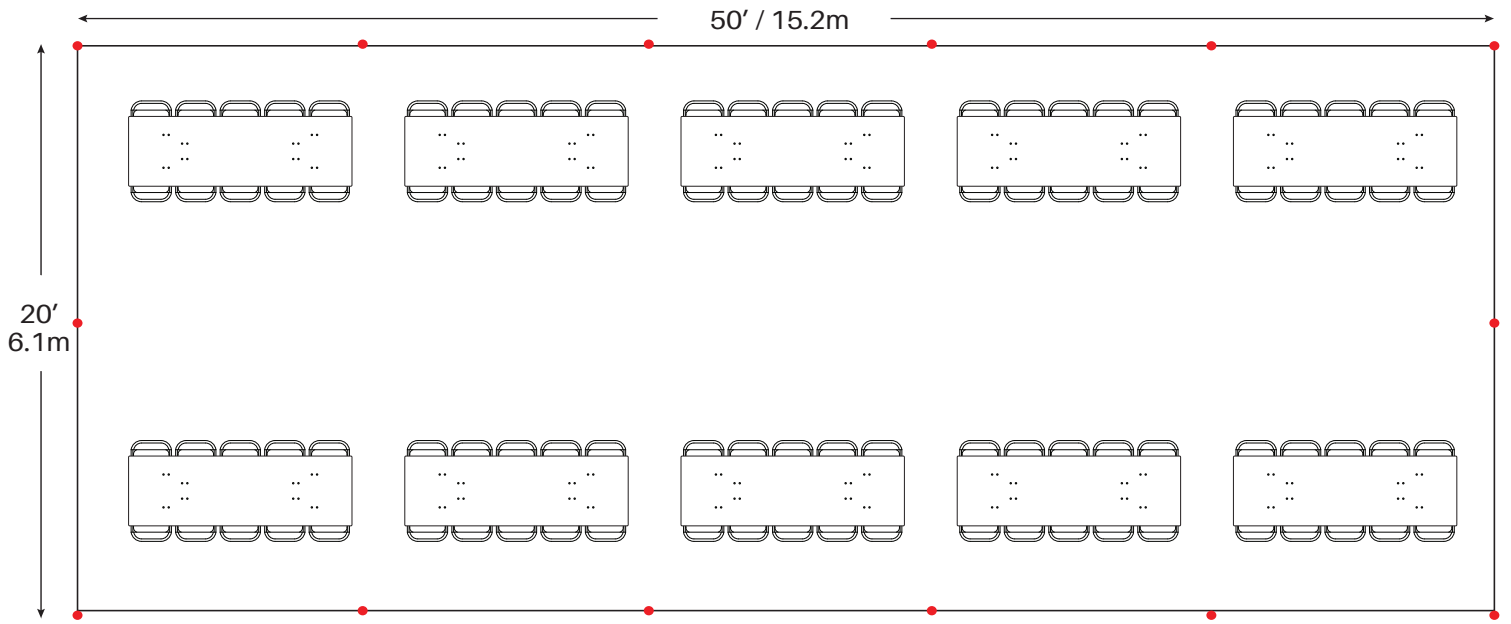
8 - 60" Round Tables
64 - Chairs

● = Legs

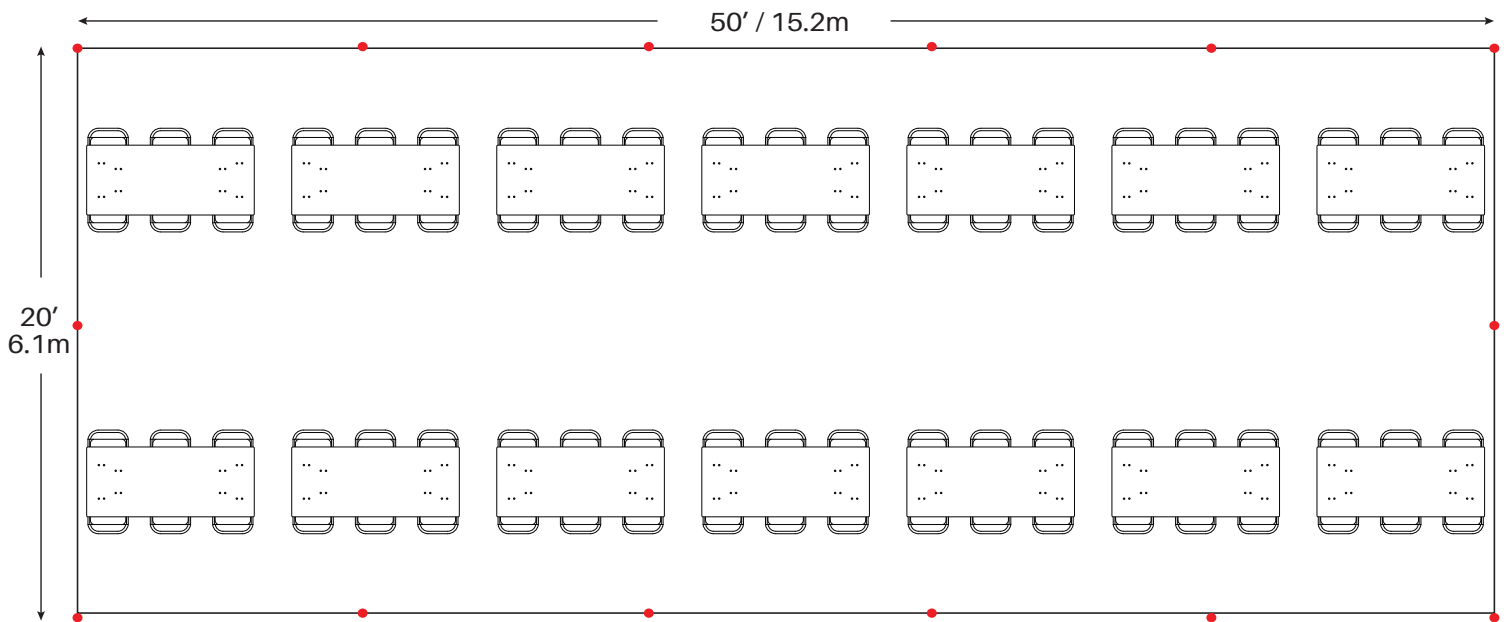
Minimum Seating Layouts

Event & Party Layout

20' x 50' / 6.1m x 15.2m Frame Tent



10 - 8' Banquet Tables
100 - Chairs



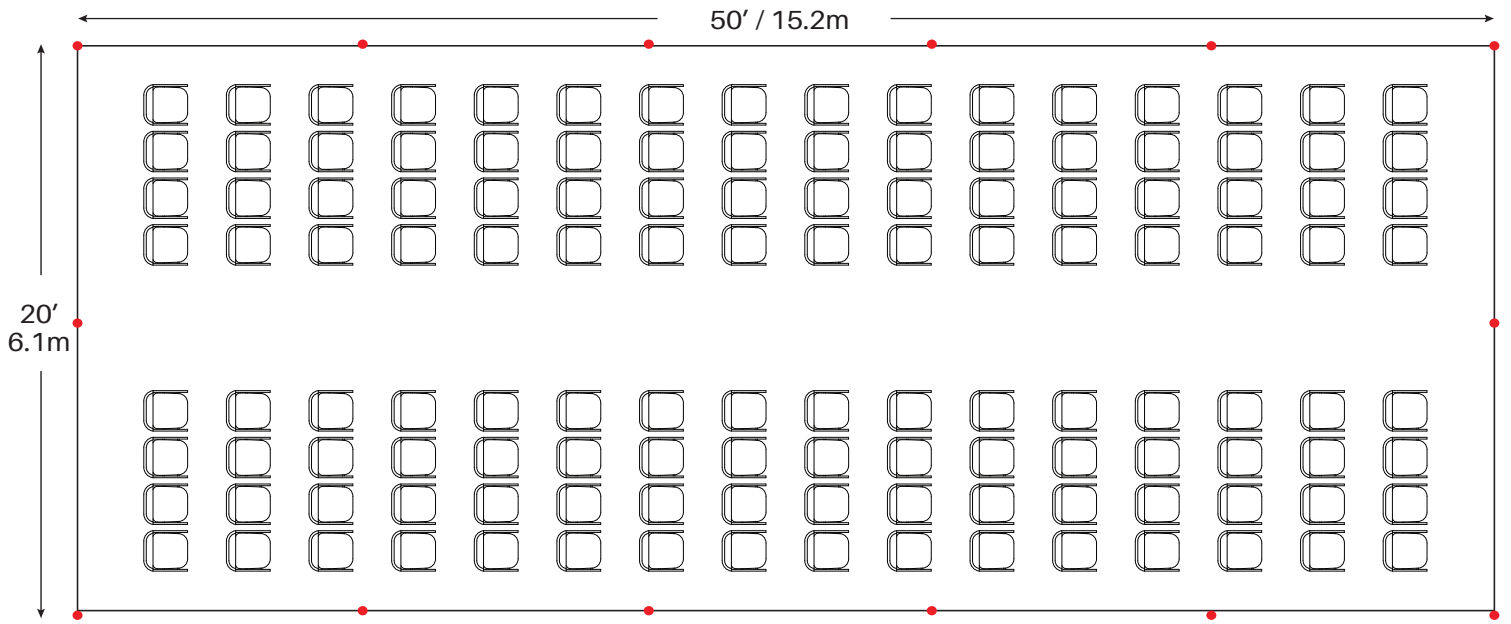
14 - 6' Banquet Tables
84 - Chairs

● = Legs

Minimum Seating Layouts

Event & Party Layout

20' x 50' / 6.1m x 15.2m Frame Tent



Cathedral Seating - 128 Chairs

● = Legs

Minimum Seating Layouts