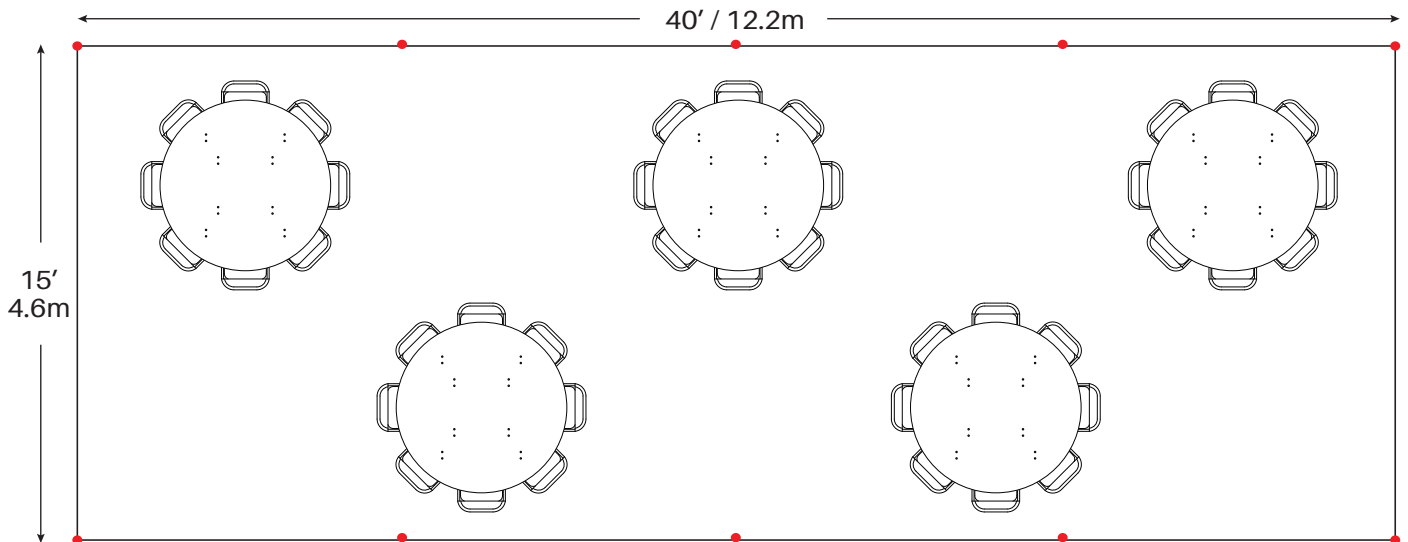


4 - 72" Round Tables
40 - Chairs



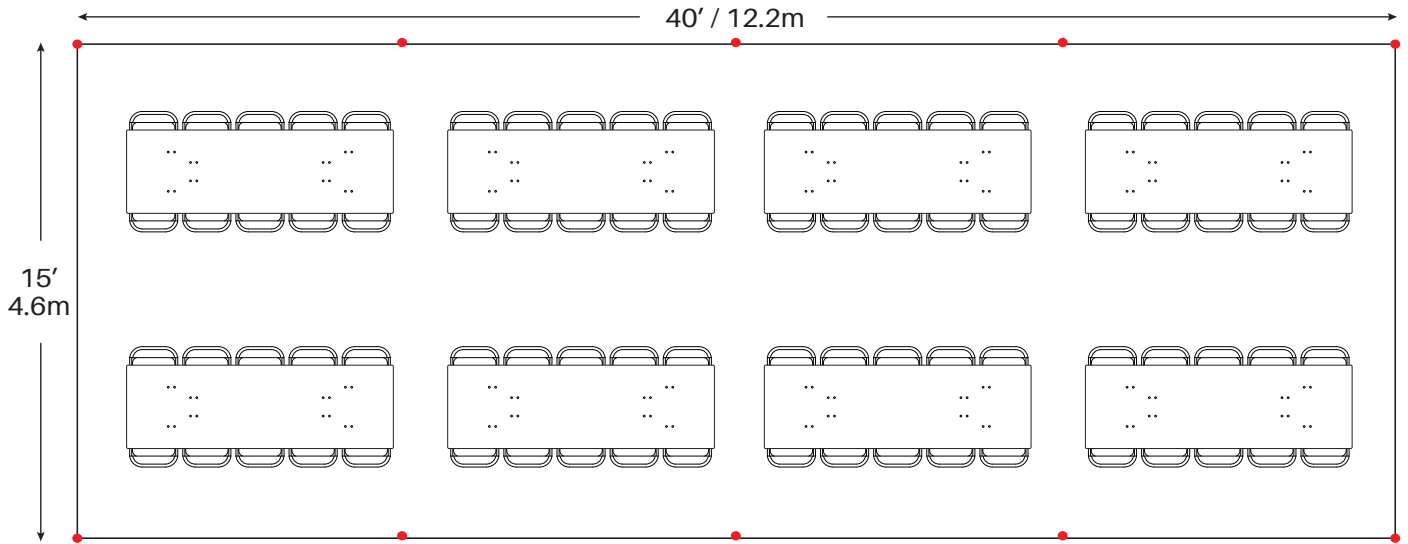
5 - 60" Round Tables
40 - Chairs

● = Legs

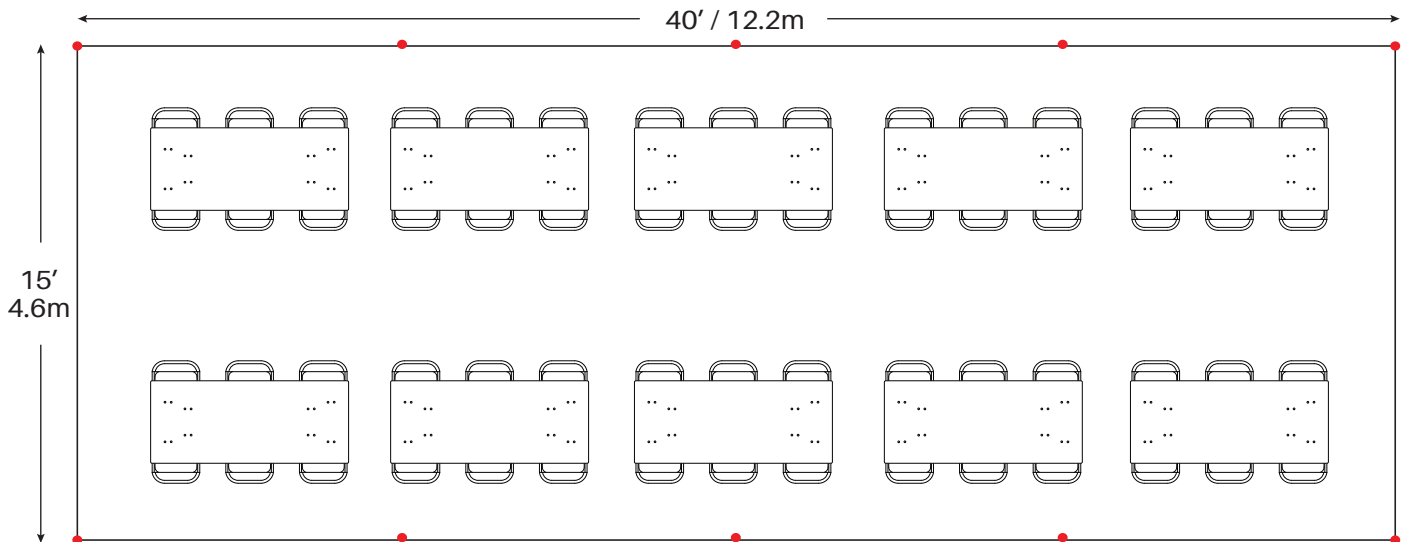
Minimum Seating Layouts

Event & Party Layout

15' x 40' / 4.6m x 12.2m Frame Tent



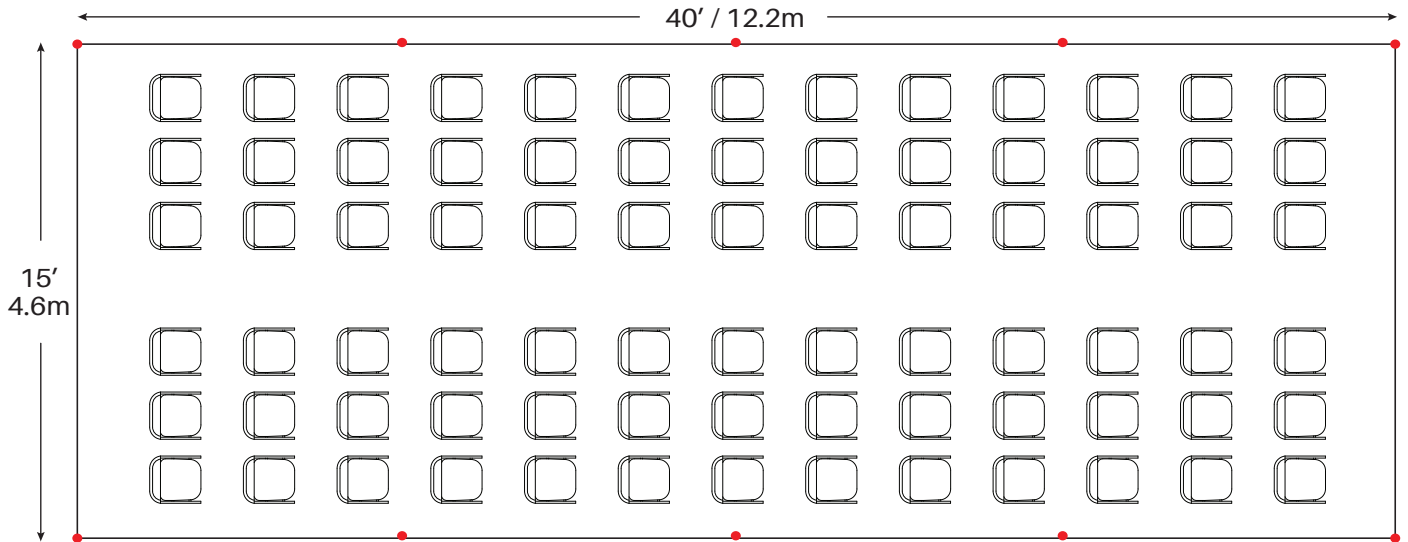
8 - 8' Banquet Tables
80 - Chairs



10 - 6' Banquet Tables
60 - Chairs

● = Legs

Minimum Seating Layouts



Cathedral Seating - 78 Chairs

● = Legs

Minimum Seating Layouts