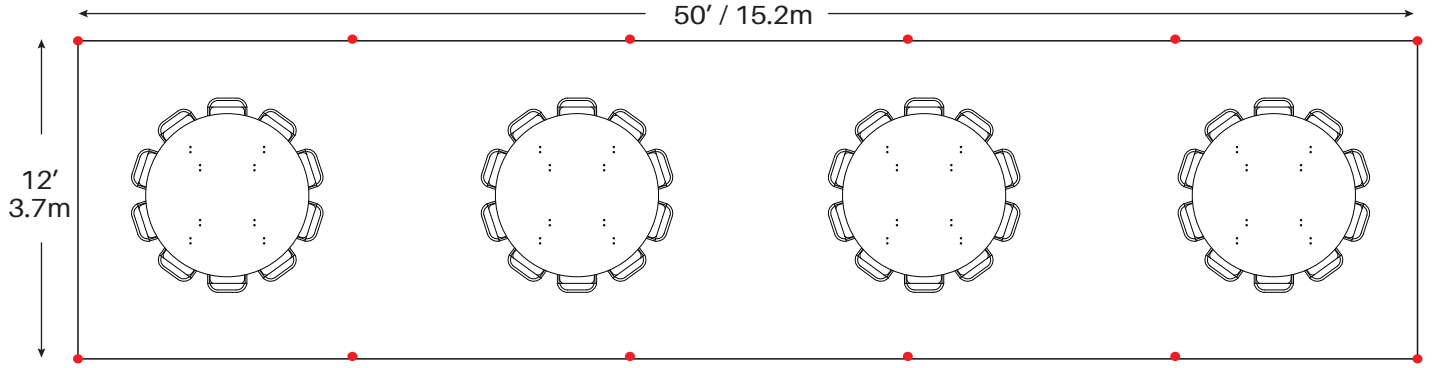
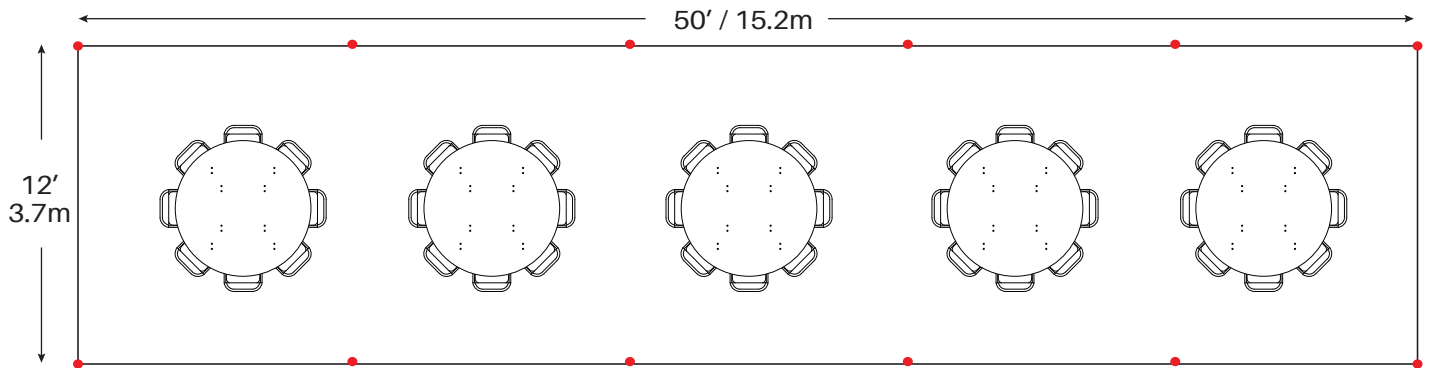


Event & Party Layout

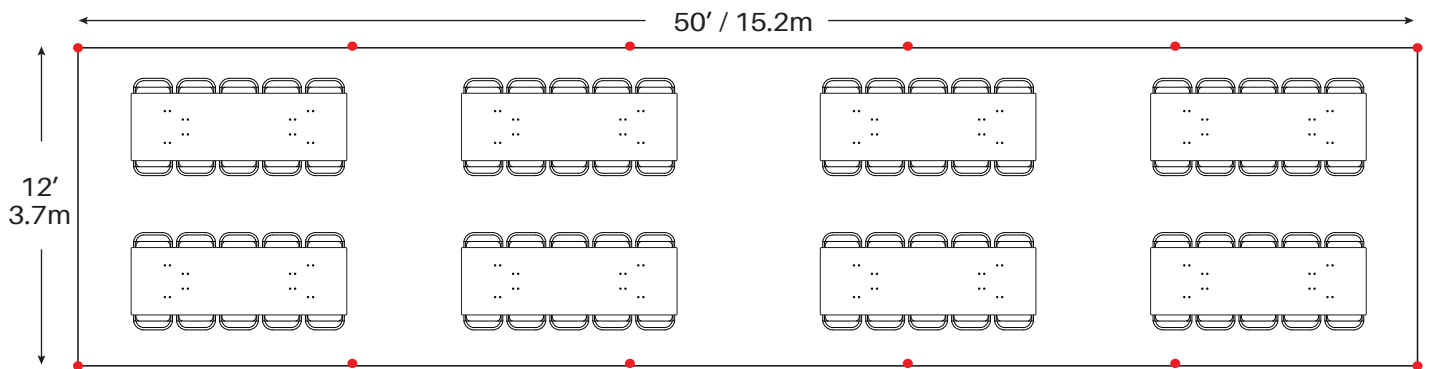
12' x 50' / 3.7m x 15.2m Frame Tent



4 - 72" Round Tables
40 - Chairs



5 - 60" Round Tables
40 - Chairs



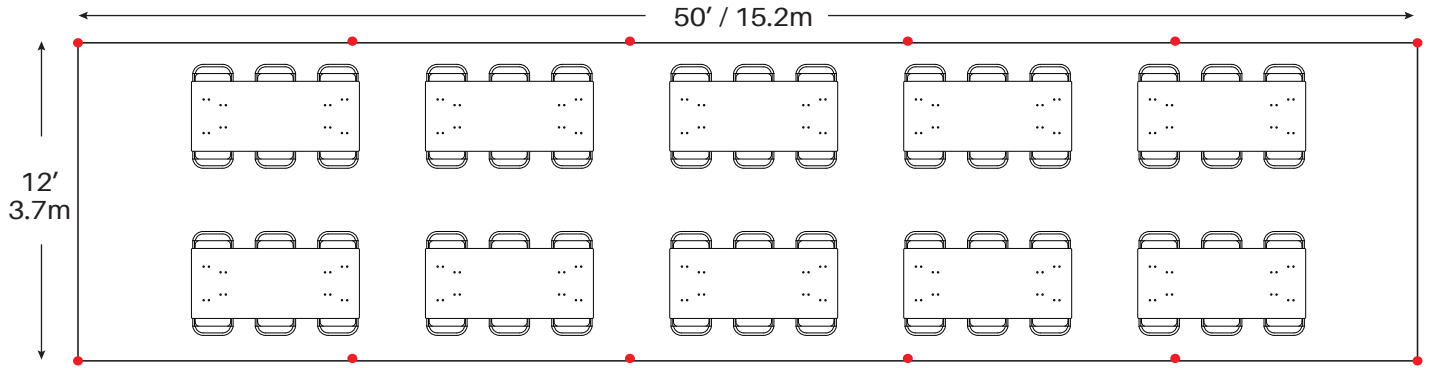
8 - 8' Banquet Tables
80 - Chairs

● = Legs

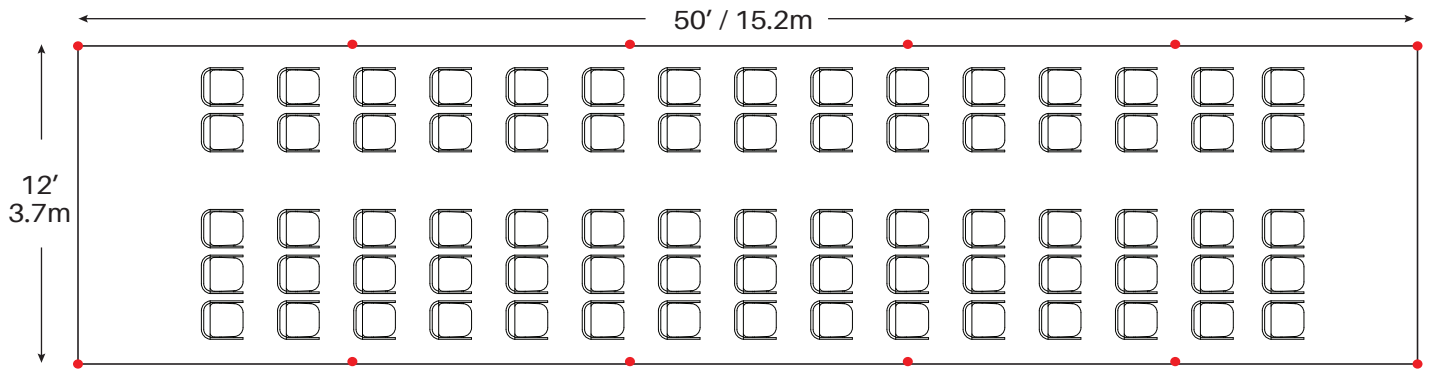
Minimum Seating Layouts

Event & Party Layout

12' x 50' / 3.7m x 15.2m Frame Tent



10 - 6' Banquet Tables
60 - Chairs



Cathedral Seating - 75 Chairs

● = Legs

Minimum Seating Layouts