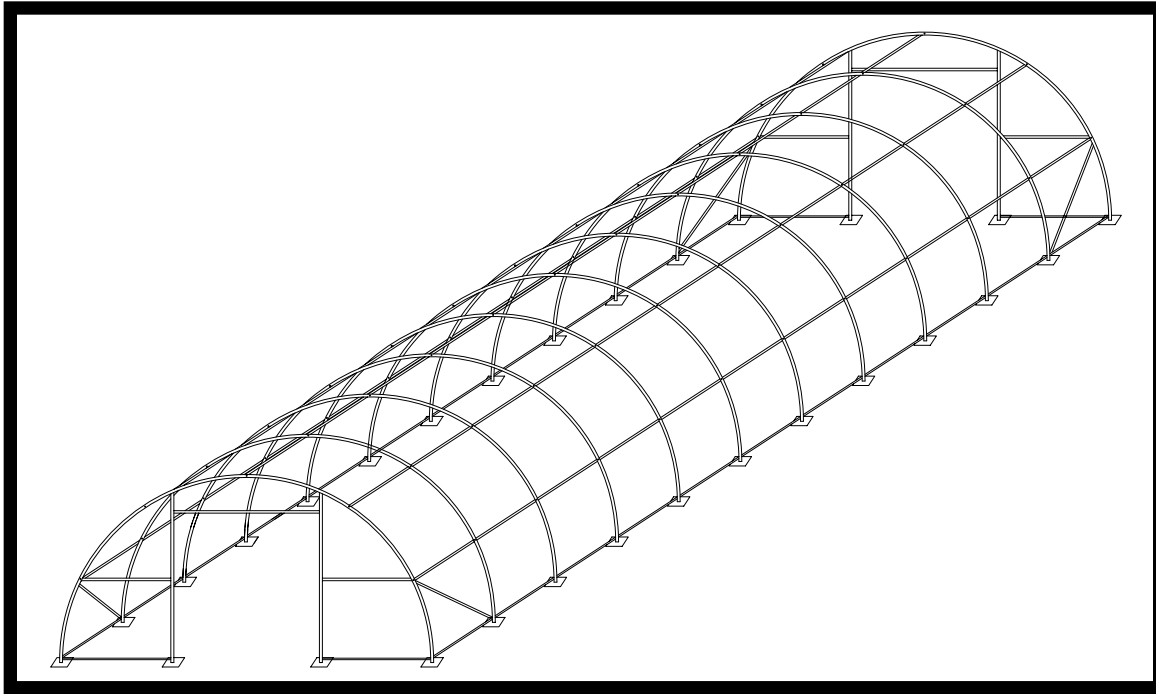


30' W X 65' L X 15' H (9.15 m x 19.8 m x 4.5 m) CRESTLINE SINGLE TRUSS ARCH SHELTER, ARCHED SIDE PRODUCT MANUAL

ver.20170611



Read this manual before using this product. Failure to do so can result in serious injury.
SAVE THIS MANUAL



NOTICE

The warnings, cautions, and instructions discussed in this instruction manual cannot cover all possible conditions and situations that may occur. It must be understood by the user that common sense and caution are factors which cannot be built into this product, but must be supplied by the installer and/or user.

Tent, canopy, structure, and shelter products are manufactured for use as temporary structures and do not meet structural code unless specified. Since weather is unpredictable, the installer/end user must incorporate their own good judgment, common sense and knowledge of local conditions with the installation instruction guidelines. The installer is responsible for anticipating weather severity for proper time and method of installation.

WARNING SYMBOLS AND DEFINITIONS

	This is the safety alert symbol. It is used to alert you to potential personal injury hazards. Obey all safety messages that follow this symbol to avoid possible injury or death.
▲WARNING	Indicates a hazardous situation which, if not avoided, could result in death or serious injury.
▲CAUTION	Indicates a hazardous situation which, if not avoided, could result in minor or moderate injury.

Description



Crestline Truss Arch Shelter

Fabric shelter constructed of arched metal beams that support the roof fabric. Truss Arches can be constructed using single arch or double arch designs. Shelter walls can be constructed using vertical or arched designs. Truss arch shelters may also be referred to as hoop buildings or Quonset huts.

Suggested Equipment

Drop cloth, ladder/ lift

Crestline Truss Arch Shelter Specifications

Width	30 ft. / 9.15m
Length	65 ft. / 19.8m
Area	1950 ft ² / 181.1m ²
Overall Height	15 ft / 4.5m
Complete Weight	2700 Lbs. / 1225 Kg.
Series / Brand	Crestline
Class	Truss Arch Shelter
Center Pole	No
Style / Shape	Frame
Expandable	No
Custom Printing Available	No
Fabric Material	PVC Coated Polyester
Fabric Material Weight	18 oz. / yd ² / 510.3 gsm
Fabric Translucency	Translucent
Water Repellency	Waterproof
Flame Resistant	Yes
UV Resistant	Yes
Mold and Mildew Resistant	Yes
Frame / Pole Material	Galvanized
Persons required for setup	3-5

SAFETY

INSTALLATION

MAINTENANCE

CONTACTS

PERSONAL SAFETY



STAY ALERT: Watch what you are doing, and use common sense when installing/striking a tent, canopy, structure, or shelter. Do not setup/strike while under the influence of drugs, alcohol, or medication. A moment of inattention may result in serious personal injury.



DO NOT OVER LIFT: The equipment may be heavy and may require 2 or more people to lift and move.



DO NOT OVERREACH: Keep proper footing and balance at all times. Use a ladder when necessary.



DRESS PROPERLY: Do not wear loose clothing or jewelry. Contain long hair. Keep hair, clothing, and hands/gloves away from power equipment and snag or pinch points.



USE SAFETY EQUIPMENT: Eye protection, safety shoes, hard hats, or hearing protection must be used for appropriate conditions.

WEATHER

Since weather is unpredictable, the installer/end user must incorporate their own judgment, common sense and knowledge of local conditions with the installation instruction guidelines. The installer is responsible for anticipating weather severity for proper time and method of installation.

- **Rain:** **⚠️WARNING** Rain water can collect on the tent fabric and cause 'ponding' or 'water pocketing' under certain weather conditions, especially if the tent is not installed and tensioned correctly. The additional weight from the water will cause the tent to sag and ponding will continue to get worse. The weight can destroy the tent fabric and/or cause the poles and baseplates to sink into the soil. Highly saturated soil will cause the stakes to lose their holding power.
- **Wind:** **⚠️WARNING** Wind or wind and rain can cause the tension of the tent to change by loosening ratchet assemblies, pulling stakes, and or causing the poles to shift or sink. It is very important to do routine maintenance checks and maintain proper tension on the tent top at all times especially if weather conditions are such that ratchets are beginning to loosen.
- **Lightning:** **⚠️WARNING** Immediately evacuate the tent until the chance of a lightning strike is no longer present.
- **Snow:** Tents, canopies, structures, and shelters are not designed to carry any type of snow loading. These products should not be used if snow of any kind is present, and must be evacuated immediately.

SITE SELECTION

Site selection is extremely important. The installer must adhere to local building codes and fire regulations. The installer must evaluate each installation site and determine the proper securing and anchoring method and device appropriate for the conditions. Some soils require different staking or securing methods than what may be/have been purchased with the standard tent package. Celina Tent's instructions, YouTube videos, and Layout Handbook summarize all the functions of each product, the rules for using them and suggestions for their use. However, field situations, site conditions, weather and local experience may mandate other methods. Review the following conditions at the proposed site and plan accordingly.

The best site qualities are:

- **Location:** Elevated, level, and clear of debris
- **Soil Conditions:** Adequate for stable anchoring
- **Space:** Adequate space for the perimeter and stake lines
- **Surface Type:** Grass, Gravel, Concrete, Asphalt, Wood
- **Site Access:** Materials and services can easily be delivered to the site

⚠️WARNING Also allow for:

- **Overhead Obstructions:** Electrical/telephone lines, tree branches
- **Underground Utilities:** Electric, Gas, Oil, Steam, Telephone, CATV, Water, Sewer
- **Weather Effects:** Monitor for extreme weather conditions and evacuate if necessary
- **Emergency Exit Capabilities:** Provide evacuation routes in case of a fire or bad weather

Before You Stake

By law you are required to contact your local “Call before you dig” number before you plan to dig or drive tent stakes / anchors. After calling, your local utility companies will mark the location of all underground utility lines. Laws from state to state vary on how far in advance you must call. Planning ahead and checking with your state’s program is always a smart idea. Failure to obtain a utility line location before digging can result in a substantial fine or serious injury. Please find your local “call before your dig number” in the contacts section of this manual.

▲WARNING Prior to staking, be sure that no underground utilities are present. Celina is not responsible for methods that installers may choose to erect and secure the tent, canopy, structure, or shelter to the site surface. Celina’s responsibility is limited to the manufacture of the tent parts and materials. It is the installer’s responsibility, not Celina’s, to determine the appropriate number of stakes to meet the necessary wind loads on the installation site.

▲WARNING Soil and setup conditions can vary greatly between installation sites. It is the installer’s responsibility to be sure the staking is adequate for each site on each setup. Additional staking, tiebacks, and/or stake bars may be required in order to safely setup and secure the product.

▲WARNING The number of stakes suggested in this manual routinely does not meet the relevant local codes of the installation site. The number of stakes included in the standard kit will, in most cases, keep the tent, canopy, structure, or shelter setup. Due to various soil conditions the standard staking kit may be inadequate to keep the tent secure in high winds and wet or threatening weather. Regardless of the number of stakes included in standard kits, Celina makes no representation or warranty as to whether this is sufficient to meet the requirements for your installation site(s).

NOTE

Attention: Required hardware having a suffix of A, R or L indicate similar in make but are modified slightly for specific locations. It is typically on the end walls or corners where a component will a suffix A, R or L are located. Be sure not to mix these parts with the components without the suffix letters.

REQUIRED HARDWARE

30'(9.15m)W X 65'(19.8m)L X 15'(4.5m)H Crestline Single Truss, Arched Side

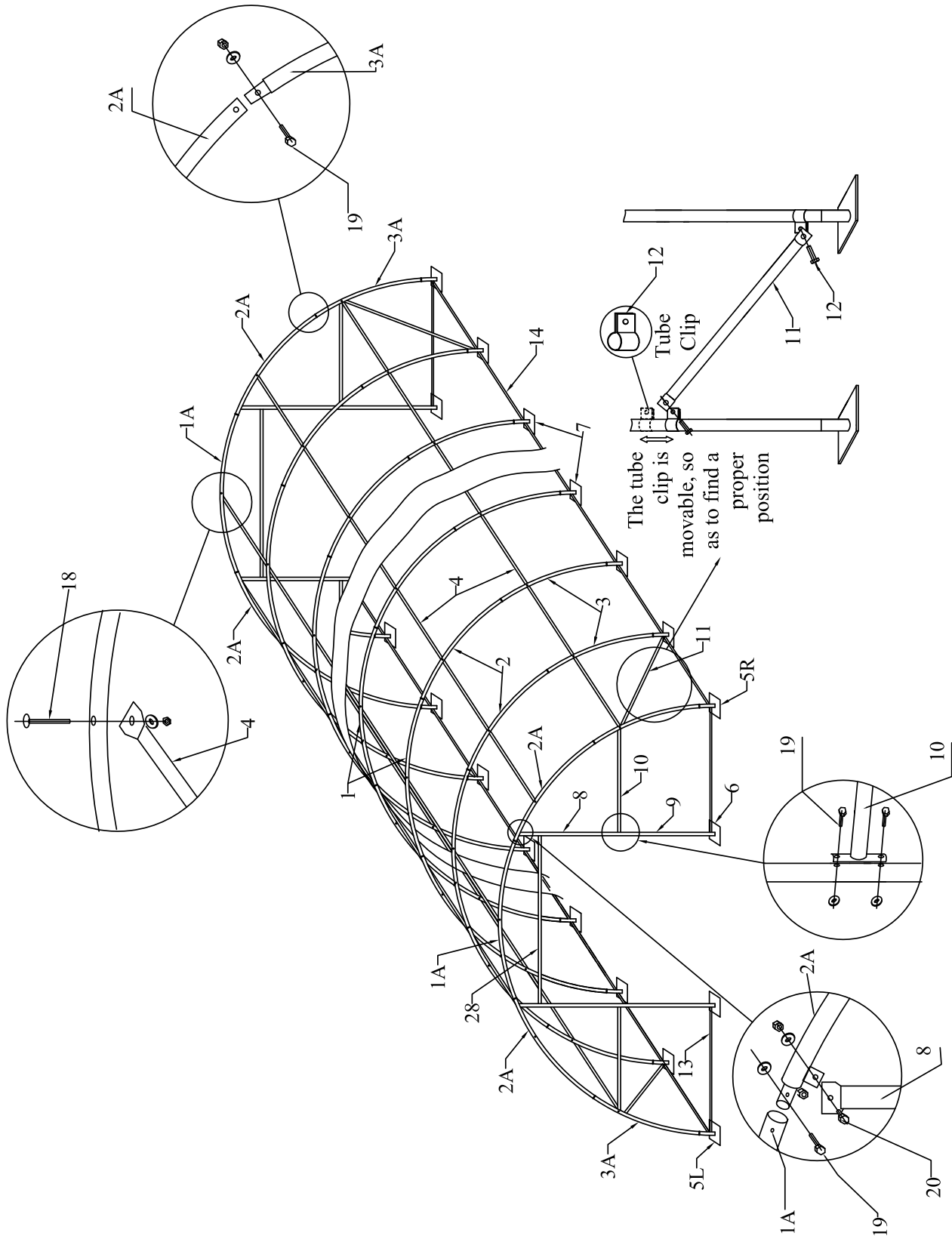
Part Code	Description	Qty.
1	Top roof curved tube	9
1A	Top roof curved tube at end panel with ring and pulley	2
2	Roof curved tube	18
2A	Roof curved tube at end panel	4
3	Sidewall tube	18
3A	Sidewall tube at end panel	4
4	Roof purlin and horizontal tube	50
5L	Base plate (flange) in corner	2
5R	Base plate (flange) in corner	2
6	Base plate (flange) for standing legs at end panel	4
7	Base plate (flange) for sidewall	18
8	Upper standing legs in end panel	4
9	Lower standing legs in end panel	4
10	Cross rail in end panel	4
11	Wind brace support	4
12	Tube clip for wind brace support	8
13	Bottom tensioning tube of end covers	4
14	Tensioning tube for lower roof cover	2 sets
15	Stake peg	52
16	Earth auger	22
17	Wrench for earth auger	1
18	Carrige Bolt M10x85 for purlin connection	60
19	Bolt M10x75 for swaged connection	100
20	Bolt M10x30	20
21	Bolt M10x15 for tie down ratchet	44
22	Tie down ratchet	22
23	Roof cover	1
24	End covers	2
25	Rope for fastening the roof cover, front and back door/ ends, and back cover	185M
26	Band for tie down ratchet	22
27	Plastic cap for tensioning tube	12
28	Door beam	2 sets
29	Door dropping tube	2 sets
30	Pole for opening and closing door zipper	1 set
31	Pulley for roll up door	2
32	Rope for roll up door	1

SAFETY

INSTALLATION

MAINTENANCE

CONTACTS



30'(9.15m)W X 65'(19.8m)L X 15'(4.5m)H Crestline Single Truss, Arched Side

Remove all the components from packaging to ensure all components are present by checking with the required hardware. **The shelter must be secured to a firm surface that can receive and retain pegs firmly in position. The shelter should be installed on FIRM GROUND, not on SWAMP OR SOFT/ WET GROUND. The base flanges must be secured so they cannot be moved.**

SAFETY

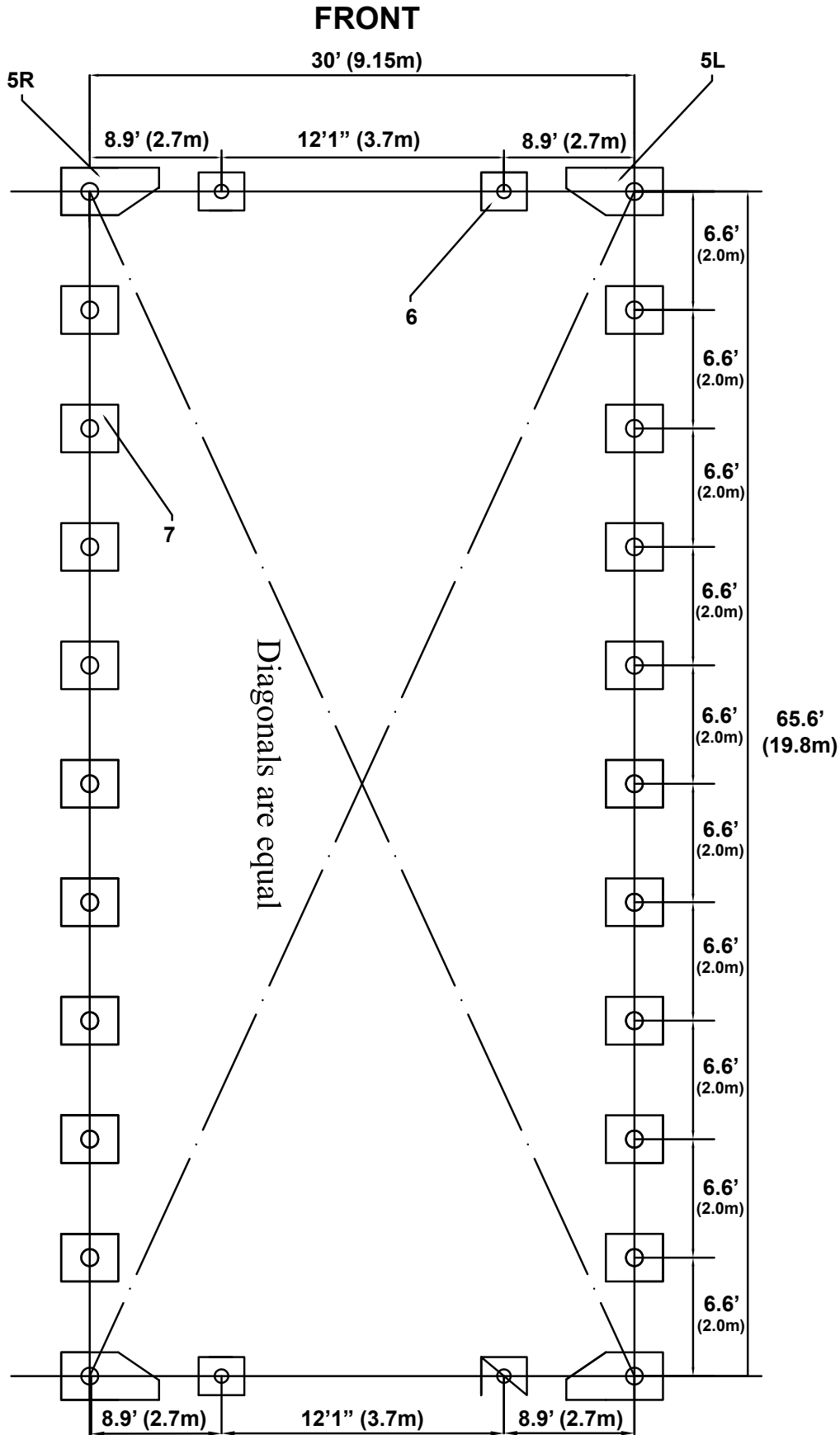
INSTALLATION

MAINTENANCE

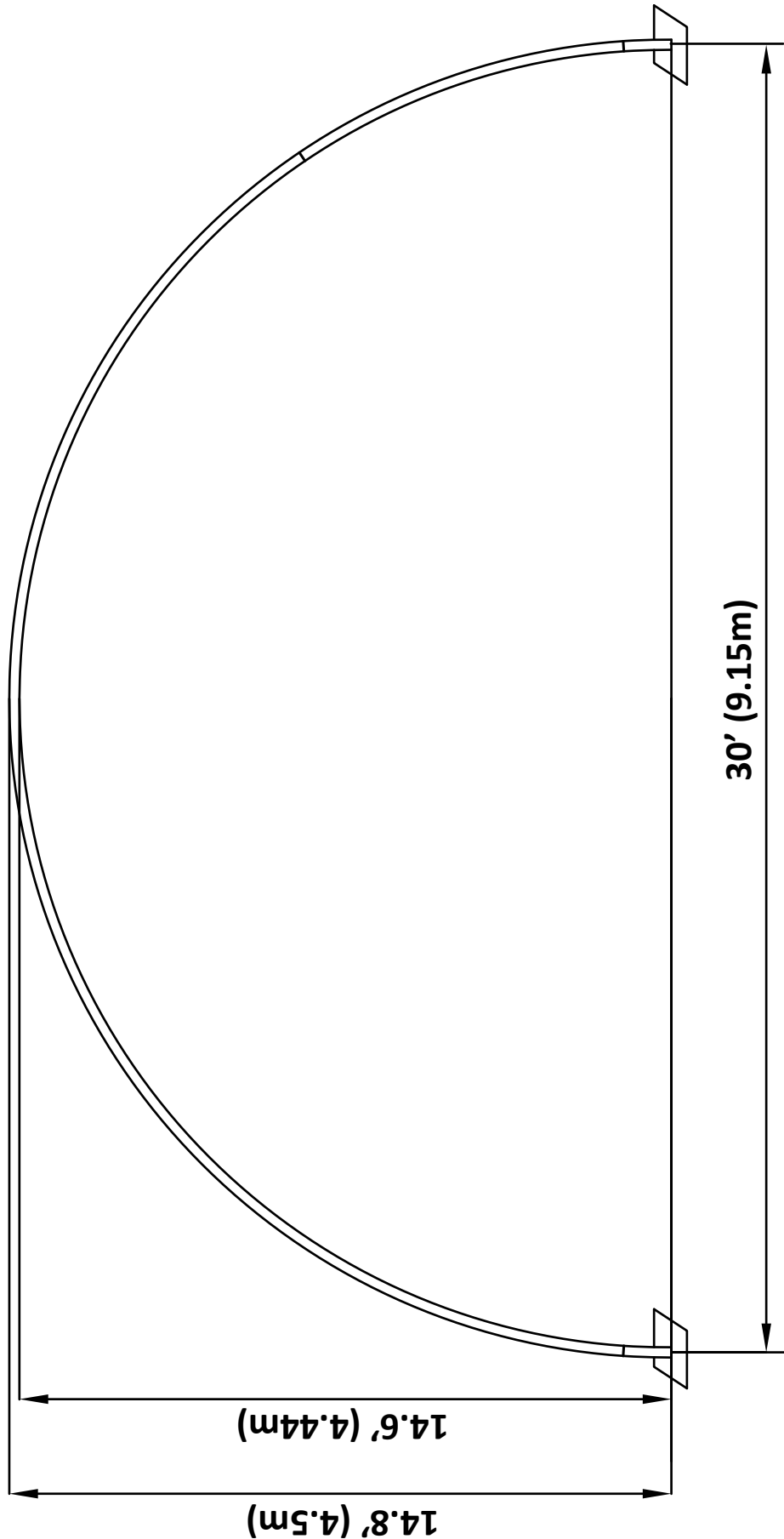
CONTACTS

Position of Base Flanges

Note: Square your site with a string or chalk line prior to laying out the parts for installation. This makes preliminary work much easier on an open clean space rather than having parts scattered in the way. It is recommended that the string or chalk line is slightly larger than the tent so not to be in the way during installation. All base plates will sit inside the squared rectangular space.



Arch Dimensions



SAFETY

INSTALLATION

MAINTENANCE

CONTACTS

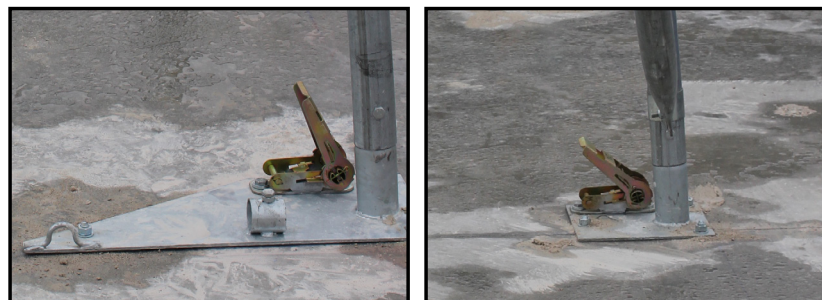
Set Up Instructions

1. Layout the frame parts on the ground in the approximate location where they will be when the frame is assembled. (See parts / minimum staking layout diagram)



Photos for reference only, not actual model.

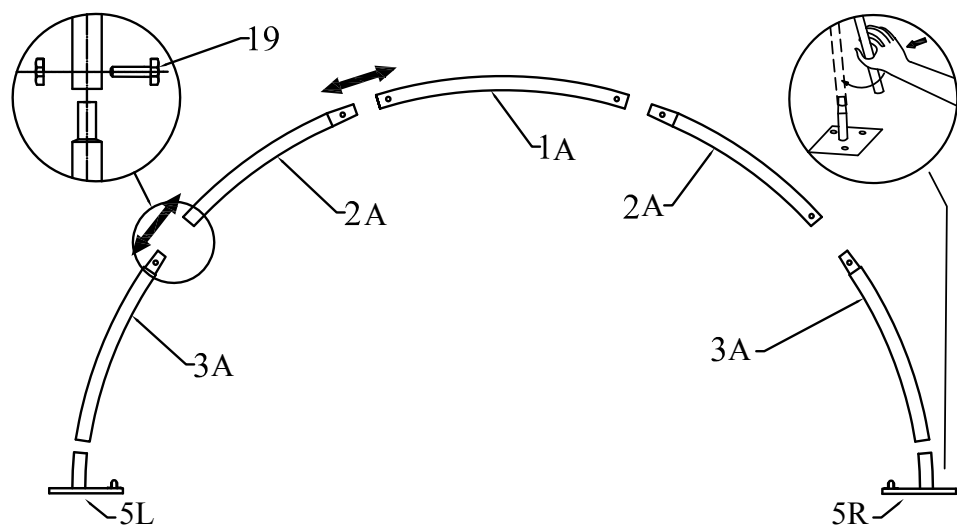
2. Bolt ratchets to base flanges: Attached one tie down ratchet (#22) to each base flange along the sidewall length of the structure. Use two bolts M10x15 (#21) for each ratchet to secure it to the base flange.



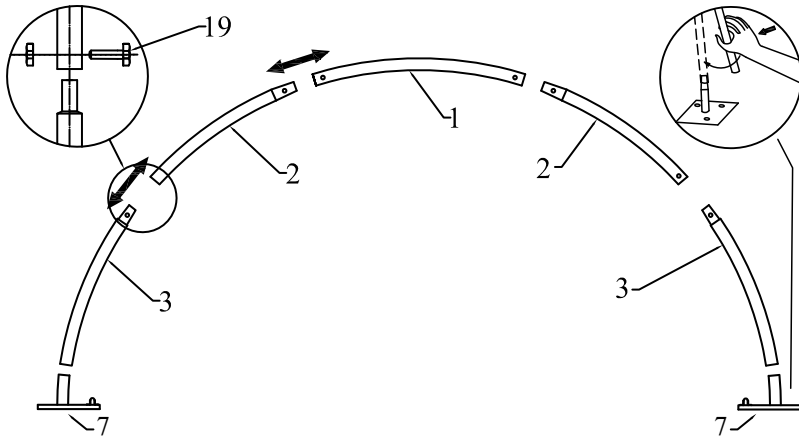
3. Arch Assembly: Assemble all the arches and lay them **ON THE GROUND** first. **DO NOT** erect the arches until all the arches are assembled. Connect the arches by inserting the hexagon bolts with washers and nuts (#19) through the pre-drilled holes in the frame members. **NOTE:** Please notice the part code of the arch sections. The sections of the middle, front, and back arches are not the same. Check with the parts list and diagram to ensure the correct parts and placement. Each arch consists of:

- a. One top roof tube (#1/1A)
- b. Two roof curving tubes (#2/2A)
- c. Two sidewall tube (#3/3A)
- d. Two base plates (#5L/5R/6/7).

Front and back arch assembly



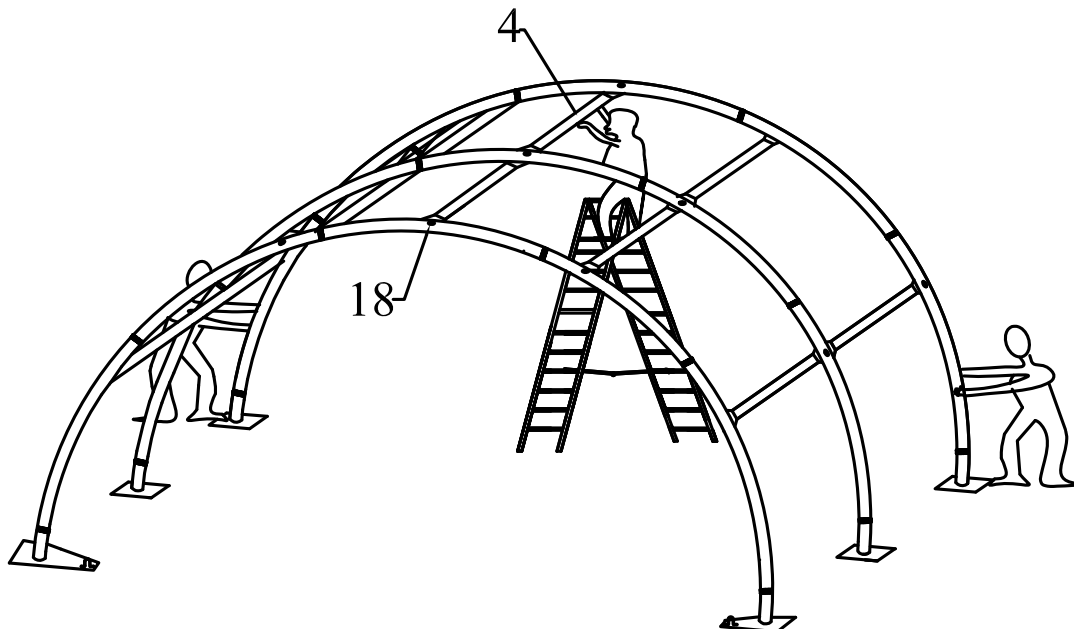
Middle arch assembly



4. Erecting the arches: Erect the front arch using ropes. Tie and secure the rope to a heavy object to secure the arch standing temporarily. Lift the arch and secure the base flanges.

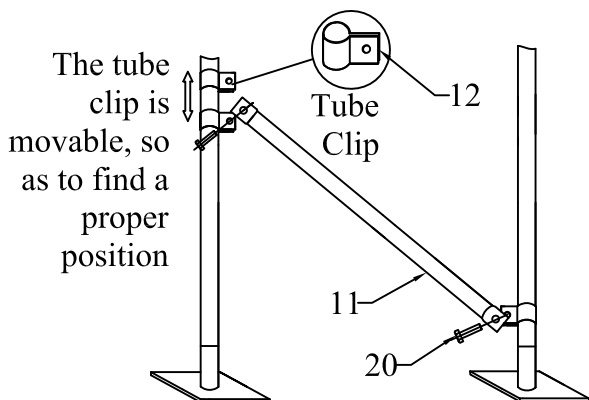


5. Assembling the roof purlins: Immediately after erecting the first arch, erect the 2nd arch in the same way. Connect the two erected arches using the roof purlin and horizontal tubes (#4). Secure the roof purlin tube into place using carriage bolts and nuts (#18).



Photos for reference only, not actual model.

6. Assembling the wind brace supports: Wrap the tube clip (#12) around the interior arch. The tube clip is movable to ensure the proper position. Install the wind brace support (#11) that connects the front arch to the first interior arch. The wind braces give the arch assemblies strength as a unit. Use bolt M10x30 (#20) at the end of each wind brace support to secure.



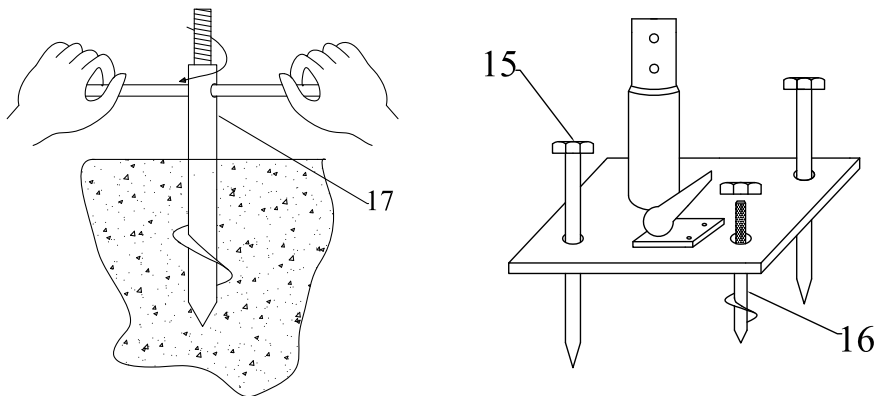
7. Install the other arch assemblies in the same manner. Overlap pinched ends of roof purlins onto the same carriage bolts inside frame assembly.

8. Check the entire frame assembly so that it is square and plumb. Adjust wind braces and roof purlins as necessary to bring frame into plumb. Tighten frame bolts adequately.

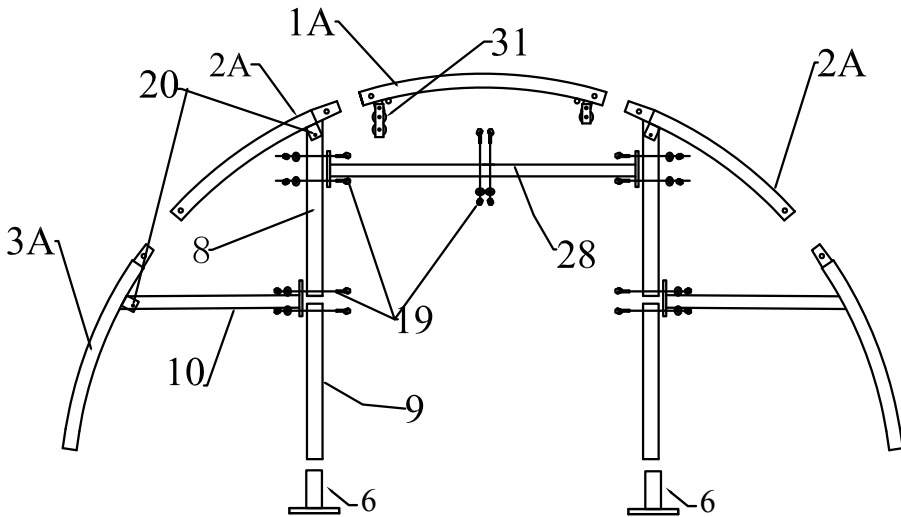
9. Installing Concrete anchors (**Optional staking method used. Concrete anchors not included but recommended**): Measure to ensure the base flanges are square and the arches are plumb in all directions. Drill three holes in the concrete that align with the holes in the base flange. Hammer the anchor stud through the base flange and drilled hole leaving room at the top for the bolt. Place washer and bolt on the anchor stud and tighten, repeat at remaining holes.



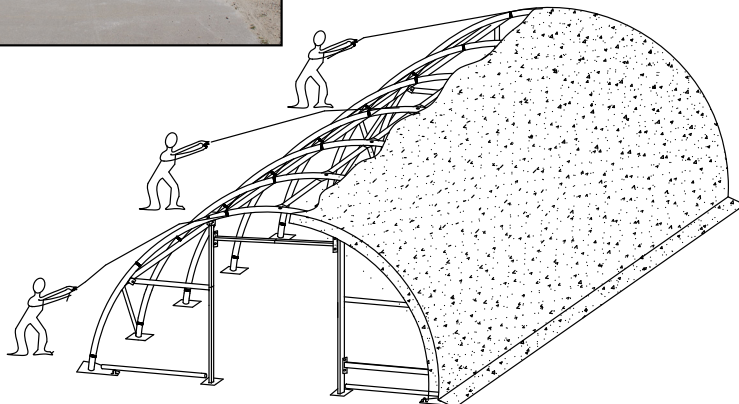
Installation for earth anchors: Using one base flange as a guide, mark the earth auger hole through the base flange by pushing the auger point through the base flange hole in place. This will leave an impression in the ground when the base flange is removed. After the hole is marked, move the base flanges to one side to expose the impression for the auger. The auger tip should be started into the ground where the depression under the hole was made. Using a wrench (part #17) turn the earth auger into the ground. Leave sufficient shaft above the ground to allow for the base flange thickness and adequate thread to be exposed for the washer and nut to be tightened over the base flange. Replace the base flange so that the threaded shaft of the auger sticks through the base hole. Re-check the dimension from the corner or adjacent base plate before tightening. Tighten the nut and your assembly will be securely fastened to the ground. Follow the staking layout for each base flange assembly. Alignment and dimensions should be checked continually as base plates are secured.



10. Assemble the front and back arch frame work.



11. Roof Cover Installation: Unpack the cover and lay parallel to the frame on one side. The cover must be pulled over the top of the frame using ropes without being snagged or stressed on any parts of the frame. Insert the tensioning tube (#14) on one side, cut small slits in the pocket for tying the ropes to the tensioning tube. Use multiple ropes over the top of the frame as shown on picture. Have a person(s) inside the frame on a ladder/ lift to assist in getting the roof cover over the frame. This will ensure the cover will go on without any damage.



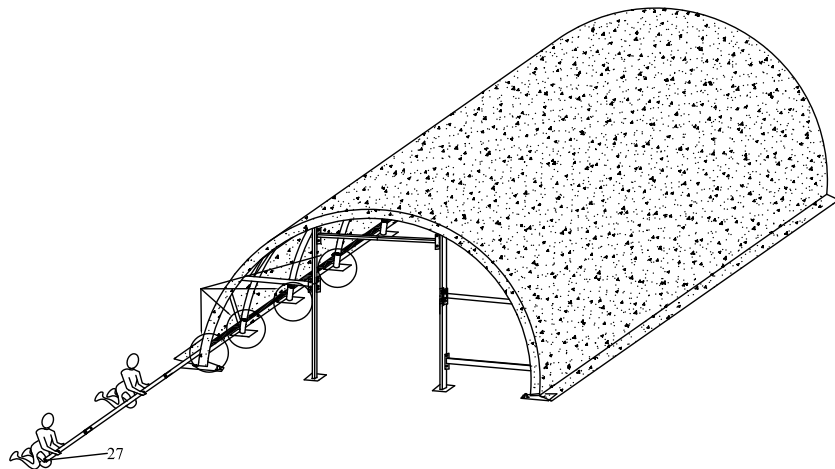
Photos for reference only, not actual model.

12. Tighten the roof over the frame from front to back.

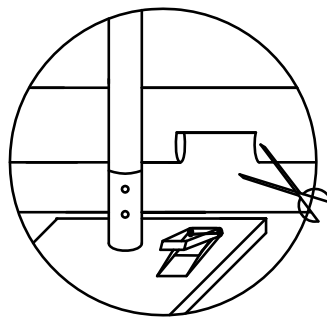
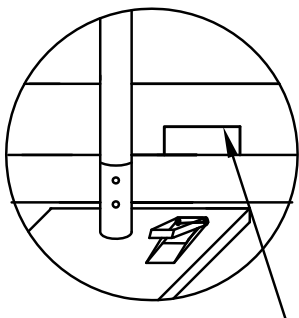
- a. The roof cover is tensioned from front to back by lacing it to grommet flaps inside the cover, inside the unit at both front and back arches.
- b. Using the ropes provided, lace the cover grommet flap around the main frame front and back arch pieces. Start in the middle of each arch and lace to each side. Adjust rope length by tying pieces together or cutting as necessary.
- c. Lace all grommets on the covers inside flap with rope. Starting in the middle top point over the door, tighten lacing only enough to take wrinkles out of the cover. Repeat for the back arch. DO NOT over tighten lacing to pull out grommets.
- d. After the roof cover lacing is adjusted evenly across the grommet flap, go back and re-adjust the rope. At this point, the main cover can be pulled taut enough to take all excess material and wrinkles out of cover.
- e. Repeat these steps 2-3 weeks after assembly is complete and the roof cover has had a chance to stretch out over the frame completely.



13. Fasten the roof cover (#23) by inserting remaining tensioning tube (#14). Place a plastic cap (#27) on the ends of each tensioning tube.



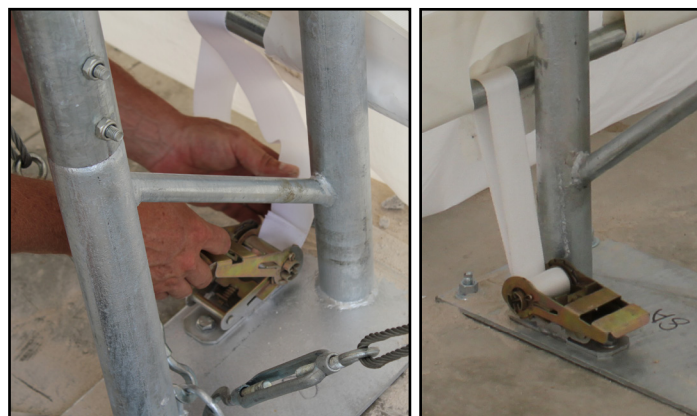
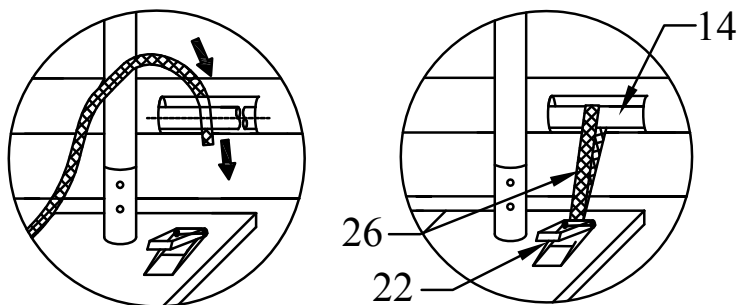
14. Make small cuts using a scissors in the roof cover pocket for the ratchet tie down strap to go through. Draw the outline of the cuts according to the position of the ratchet. Cuts should be right upon the ratchets.



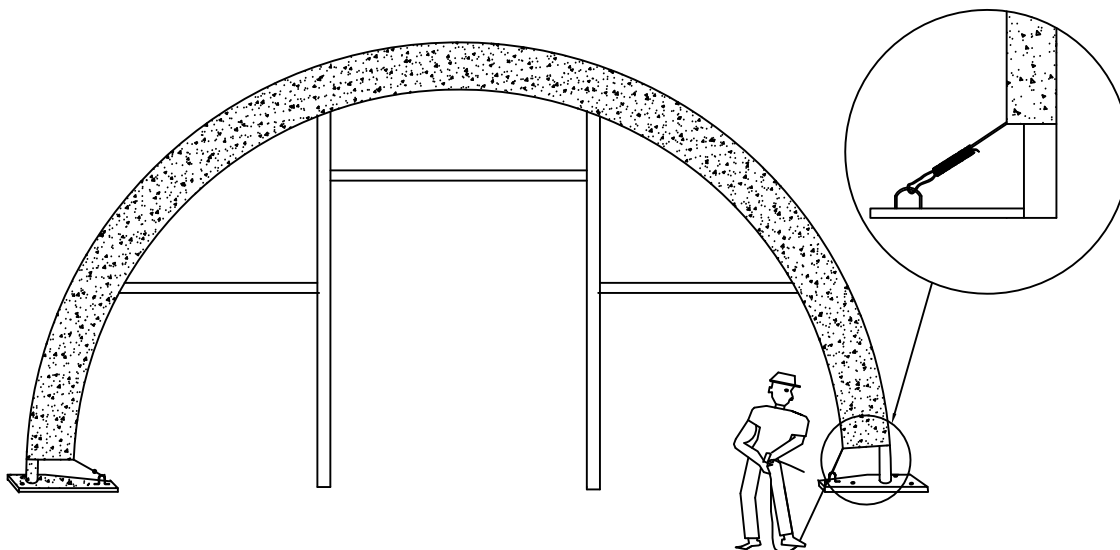
draw the outline of cuts



15. Loop the band for the tie down ratchet (#26) around the tensioning tube through the cuts on the pocket of the roof cover. Bands do not attach to tensioning tube, but loop around and secure at both ends on the ratchet. Pull the bands through the reel of the ratchet and tension the band by the ratchet. Pull the bands through the reel of the ratchet and tension the band by the ratchet.



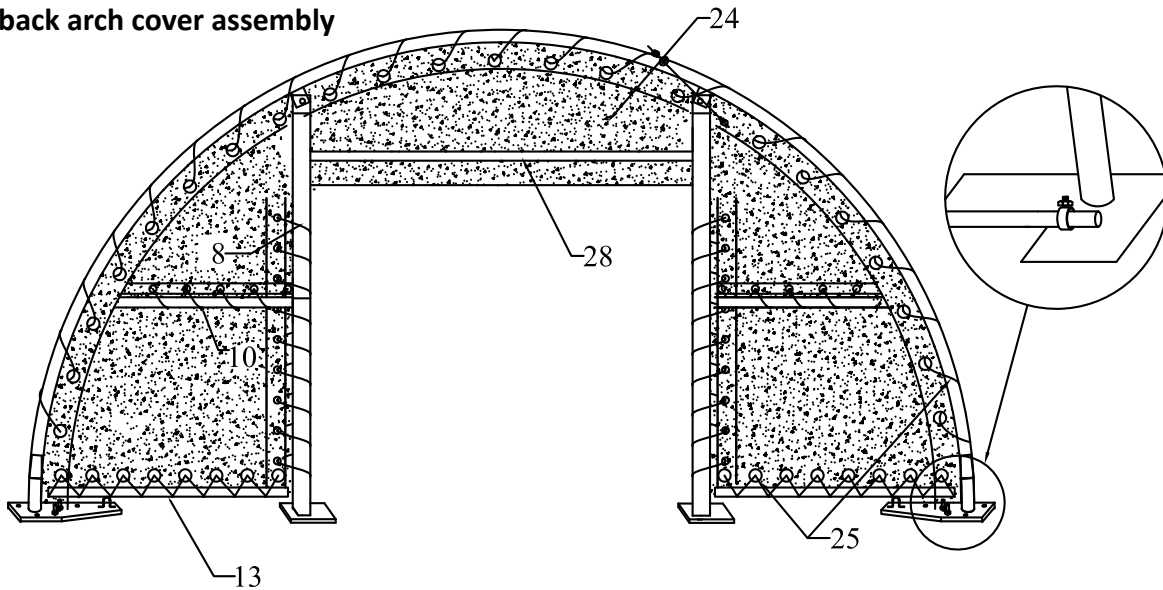
16. Tension the cover on the frame from side to side by taking up the slack in the tie bands by ratcheting the mechanisms, tightening cover. Evenly adjust ratchets on both sides of the roof to take out the wrinkles. **DO NOT FULLY TIGHTEN YET.** Leave adequate slack so that cover can also be adjusted front to back in the next step.



17. Assemble the front and back cover.

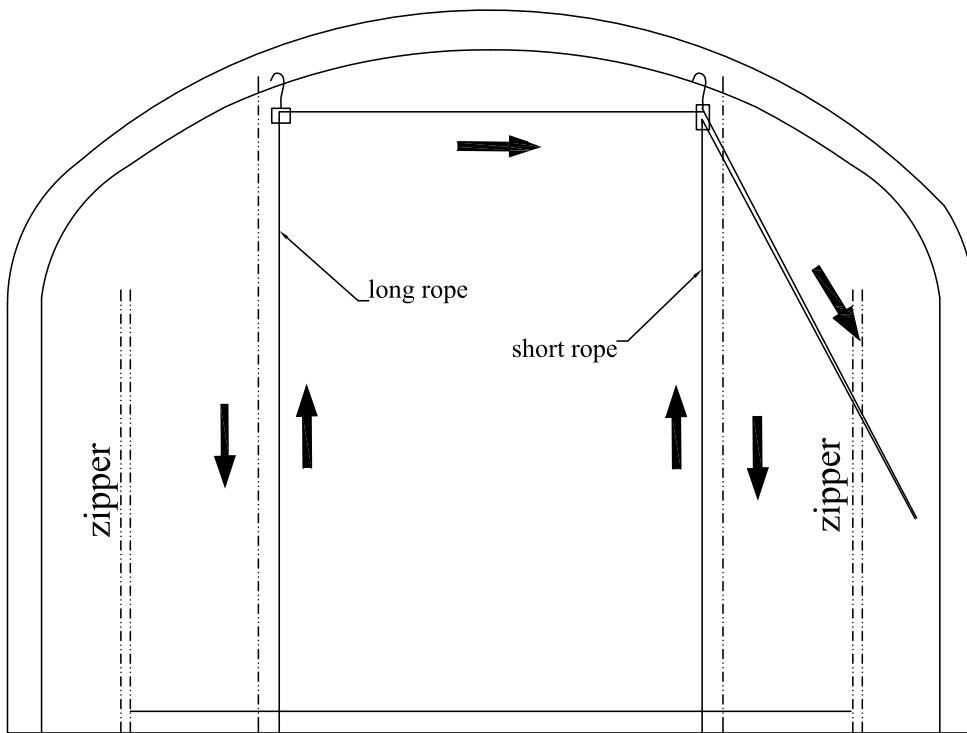
- Secure front and back cover to the arch panels by using the ropes provided.
- Once both front and back covers are installed, the roof cover edge flap, front and rear, should be tightened and tied off. Begin by pulling the remaining roof cover over the frame arch, so the rope pocket is over the edge of the frame. Tie off the rope that goes through the rope pocket on one side. The rope ties off to the loops that are located on the base flange at each corner (5L or 5 R). Moving to the other side, begin to pull the rope.
- Hold the rope in hand, and push down at the bottom of rope with a foot. Pull the rope tight, and tie off to the welded hoop on the base flange.
- As you are pulling the edge rope, it will be necessary to adjust the excess material that will collect along the rope. Adjust the material so that it is not bunched up and it does not pull the roof cover to one side or the other. Once the front is completed, repeat the process on the rear flap of the roof cover.

Front and back arch cover assembly



18. Assemble the roll up door.

- a. Insert the door dropping tube (#29) into the pocket along the bottom edge of the roll up door.
- b. The two pulleys (#31) should be installed on the outside edge of the roof curved tube in the front panel
- c. Attach two pieces of rope for the roll up door on the inside tab of the roof curved tube, tie the ends into a knot to avoid slipping later. Run the two ropes along the inside of the door and then under the outside of the unit. Thread the rope up through the pulleys and back down.
- d. Pull the two rope ends to the side of the door, pulling the ropes together, the door will start to “roll” rather than bunch up. Once it has been rolled a few times, the fabric will develop a memory roll. Pull the ropes to open the door at any position or level needed, then tie the ends of the rope to the tubing.
- d. The pole (#30) could help to open and close the door.
- e. Door Dimensions: 12' 1" (3.7 m) Wide x 12' 6" (3.8 m) High



FLAME RESISTANCE

Celina fabrics are inherently flame resistant. Open flames should never be used under any tent, canopy, structure, or shelter. Fabrics meet or exceed one or more of the following flammability specifications:

NFPA-701	CPAI-84	ASTM D 6413
BS 5438	BS 7837 (1996)	DIN 4102-B1

TENT CARE

For maximum life of Celina fabrics, Celina recommends regular cleaning with the use of a soft brush with neutral soaps or cleaners, such as Celina Cleaning Products, Ivory dish soap, or warm water. Thorough rinsing and drying is required before storing the fabric.

Things that will cause premature degradation and may reduce life expectancy of a tent:

- Improper handling during installation/dismantling on rough surfaces will create pinholes and abrasions. ALWAYS USE A DROP CLOTH/GROUND CLOTH DURING INSTALLATION AND DISMANTLING.
- Walking on the fabric during installation/dismantling will create pinholes and abrasions.
- Extended use of the tent without cleaning
- Accumulation of dirt on the vinyl surface will promote the growth of mold and mildew and premature wear.
- Storage of vinyl that has not been dried thoroughly. Even a slightly damp product can promote the growth of mildew when folded and stored. Mold and mildew may require harsh cleaners to remove, which may cause premature wear. The best solution is to take every precaution to keep mold and mildew from growing in the first place. NEVER STORE A TENT, CANOPY, STRUCTURE, OR SHELTER IN A WET OR DAMP CONDITION.
- Harsh detergents and cleaners, which contain a solvent or bleach. The longer the exposure of PVC vinyl to these products, the more it will reduce the life of the PVC vinyl.
- High-abrasive cleaners, including wire brushes, power washers and/or commercial washing machines will result in premature wear and deterioration of tent fabrics.
- Wind whip – Loosely tensioned fabric that whips in the wind will damage over time.

Vinyl Repair

Celina's repair products provide an easy solution to tears, punctures, or holes. Repair kits and tools are available online at www.GetTent.com or by contacting Celina.

PRODUCT WARRANTY

Celina Tent Inc. warrants that this product will be free from defects in material and workmanship for a period of one (1) year following the date of purchase. Defects are limited to any defect which is a result of the manufacturing process. Excluded are holes, punctures, or other damages which can be caused during normal installation of a tent whenever proper procedures are not followed. Celina at its option will repair or replace this product or any component of product found to be defective during this warranty period. This warranty is valid for the original purchaser only, and is not transferable. This warranty does not cover normal wear or damage resulting from negligent use or misuse of the product, use contrary to instructions, repairs or alterations by anyone other than Celina, or forces of nature. Celina Tent is not responsible for methods that installers may choose to erect and secure the tent to the ground. Celina's responsibility is limited to the manufacture of the tent parts and materials.

This warranty is in lieu of all other warranties, and there are no warranties, expressed or implied, including warranties of merchantability of fitness for a particular purpose, which extend beyond the description on the face hereof. Celina Tent Inc. shall not be liable for any incidental or consequential damages. Some jurisdictions do not allow the exclusion of implied warranties or the imitation on incidental or consequential damages, so the above exclusions and limitations may not apply to you.

CALL BEFORE YOU DIG OR STAKE

STATE	CENTER	PHONE
Alabama	Alabama Line Location	800/292-8525
Alaska	Locate Call Center of Alaska	800/478-3121
Arizona	Arizona Blue Stake	800/782-5348
Arkansas	Arkansas One Call System	800/482-8998
California	Underground Service Alert	800/227-2600
Colorado	Utility Notification Center of Colorado	800/922-1987
Connecticut	Call Before You Dig	800/922-4455
Delaware	Miss Utility of Delaware	800/282-8555
Florida	Call Sunshine	800/432-4770
Georgia	Utilities Protection Center	800/282-7411
Hawaii	Underground Service Alert North	800/227-2600
	Underground Service Alert South	800/227-2600
Idaho	Palouse Empire Underground	800/822-1974
	Utilities Underground Location Center	800/424-5555
	Dig Line	800/342-1585
	One Call Concepts - Idaho	800/626-4950
	Shoshone County One Call	800/398-3285
Illinois	Chicago Utility Alert Network	800/892-0123
Indiana	Indiana Underground Plant Protection	800/382-5544
Iowa	Underground Plant Location Service	800/292-8989
Kansas	Kansas One-Call Center	800/344-7233
Kentucky	Kentucky Underground Protection	800/752-6007
Louisiana	Louisiana One Call System	800/272-3020
Maine	Dig Safe - Maine	888/344-7233
Maryland	Miss Utility	800/257-7777
	Miss Utility of DESMARVA	800/282-8555
Massachusetts	Dig Safe-Massachusetts	888/344-7233
Michigan	Miss Dig System	800/482-7171
Minnesota	Gopher State One Call	800/252-1166
Mississippi	Mississippi One Call System	800/227-6477
Missouri	Missouri One Call System	800/344-7483
Montana	Utilities Underground Location Center	800/424-5555
	Montana U-Dig	800/551-8344
Nebraska	Diggers Hotline	800/331-5666
Nevada	Underground Service Alert North	800/227-2600
New Hampshire	Dig Safe-New Hampshire	888/344-7233
New Jersey	Garden State Underground	800/272-1000
New Mexico	New Mexico One Call System	800/321-2537
	Las Cruces-Dona Ana Utility Council	888/526-0400

STATE	CENTER	PHONE
New York	Dig Safely New York	800/926-7962
	New York City-Long Island One Call	800/272-4480
North Carolina	North Carolina One Call	800/634-4949
North Dakota	North Dakota One Call	800/795-0555
Ohio	Ohio Utilities Protective Service	800/362-2764
	Oil & Gas Producers Underground	800/925-2988
Oklahoma	Call Okie	800/522-6543
Oregon	Oregon Utilities Notification Center	800/332-2344
Pennsylvania	Pennsylvania One Call System	800/242-1776
Rhode Island	Dig Safe-Rhode Island	888/344-7233
South Carolina	Palmetto Utility Protection Service	800/922-0983
South Dakota	South Dakota One Call	800/781-7474
Tennessee	Tennessee One-Call System	800/351-1111
Texas	Texas One Call System	800/245-4545
	Texas Excavation Safety System	800/344-8377
	Lone Star Notification System	800/669-8344
Utah	Blue Stakes Location Center	800/622-4111
Vermont	Dig Safe - Vermont	888/344-7233
Virginia	Miss Utility of Virginia	800/552-7001
	Miss Utility	800/257-7777
Washington	Miss Utility of DELMARVA	800/441-8355
	Notification Center	800/424-5555
	Utilities Council of Cowlitz County	360/425-2506
	Upper Yakima City Underground	800/553-4344
	Inland Empire Utility Coordinating	509/456-8000
West Virginia	Miss Utility of West Virginia	800/245-4848
Wisconsin	Diggers Hotline	800/242-8511
Wyoming	Wyoming One Call	800/348-1030
	Call Before you Dig Wyoming	800/849-2476
District of Columbia	Miss Utility	800/257-7777
Canada	Alberta One Call	800/242-3447
	Ontario	800/400-2255
	Info-Excavation (Quebec)	800/663-9228
	BC One Call	800/474-6886
	Manitoba - Winnipeg	240/480-1212
	Manitoba & Saskatchewan Safe	800/827-5094

SAFETY

INSTALLATION

MAINTENANCE

SUPPORT

For technical questions or replacement parts, please contact:

Celina Tent, Inc. / GetTent.com
 5373 State Route 29
 Celina, Ohio 45822-9210 USA

Telephone: 419-586-3610

Fax: 419-584-0949

Website: www.GetTent.com

Email: support@celinatent.com

YouTube: <http://www.youtube.com/user/celinatent>

Facebook: <http://www.facebook.com/celinatent>

Google +: <http://goo.gl/qvVdv>

Twitter: <http://twitter.com/celinatent>

LinkedIn: <http://www.linkedin.com/company/celina-tent-fabric-structures>

CONTACTS