

Figure 1

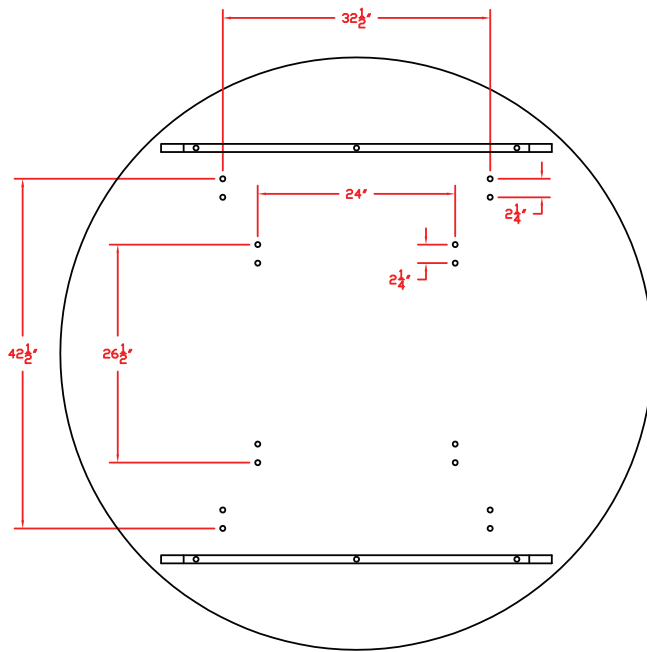


Figure 2

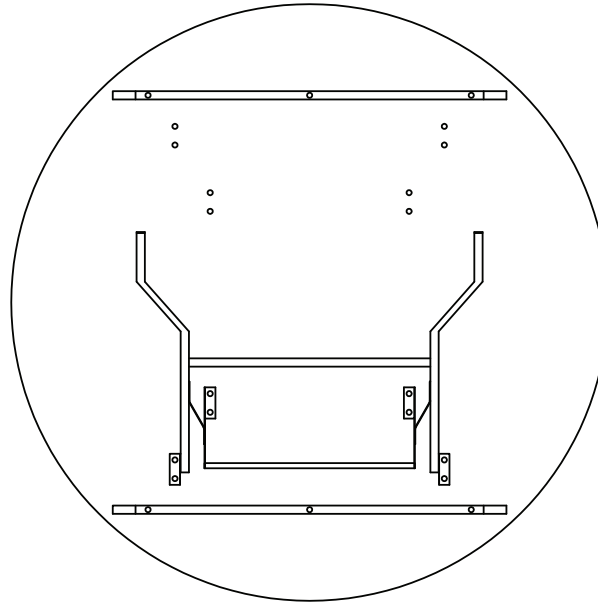
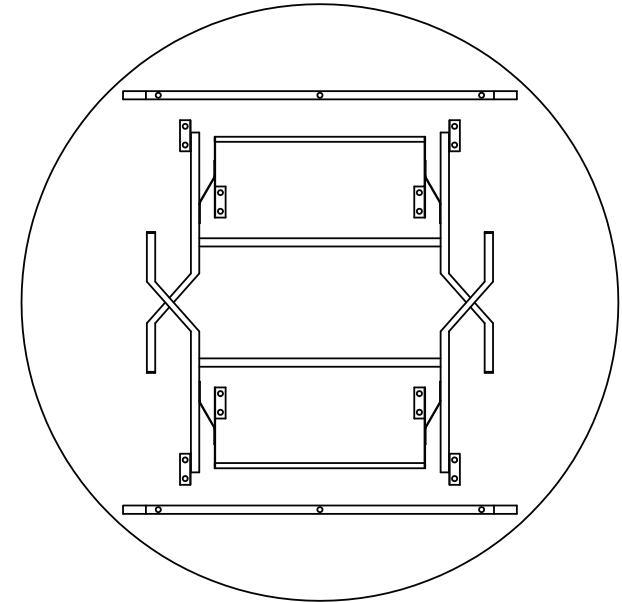


Figure 3



Replacement Table Legs:

The replacement legs should be centered on the table and spread apart from each other the distance listed on figure 1.

To ensure accuracy; please lay replacement legs on the table to use as a template.

Replacement legs are counter sunk bolted directly to the table.