

# HEAVY DUTY PEDESTAL TABLE CART PRODUCT MANUAL

ver.20150929



Read this manual before using this product. Failure to do so can result in serious injury.  
**SAVE THIS MANUAL**



## NOTICE

The warnings, cautions, and instructions discussed in this instruction manual cannot cover all possible conditions and situations that may occur. It must be understood by the user that common sense and caution are factors which cannot be built into this product, but must be supplied by the installer and/or user.

## SUPPORT

**For technical questions or replacement parts, please contact:**

Celina Tent, Inc. / GetTent.com  
5373 State Route 29  
Celina, Ohio 45822-9210 USA

**Telephone:** 419-586-3610

**Fax:** 419-584-0949

**Website:** [www.GetTent.com](http://www.GetTent.com)

**Email:** [support@celinatent.com](mailto:support@celinatent.com)

**YouTube:** <http://www.youtube.com/user/celinatent>

**Facebook:** <http://www.facebook.com/celinatent>

**Google +:** <http://goo.gl/qvVdv>

**Twitter:** <http://twitter.com/celinatent>

**LinkedIn:** <http://www.linkedin.com/company/celina-tent-fabric-structures>



# INSTALLATION INSTRUCTIONS

1. Lay out all parts.

2. Attach the wheels: flip the base so that the posts are down and align the holes in the wheel plates to those at each corner of the base, securing them in place with bolts. Make sure that the swivel wheels are on the same short side, with the nub to the right on the underside [Fig.1]. Turn upright and set aside.

3. Flip the top piece over so all 4 corner posts are in the air. All beams are attached upside-down; all wire hooks attached to the beams will point down during installation.

4. Attach the beam with a handle and 'U' slots (Beam #1) onto the corner away from nub, which is located toward the right side. Make sure the handle extends out from the short side of the frame. Bolt into place.

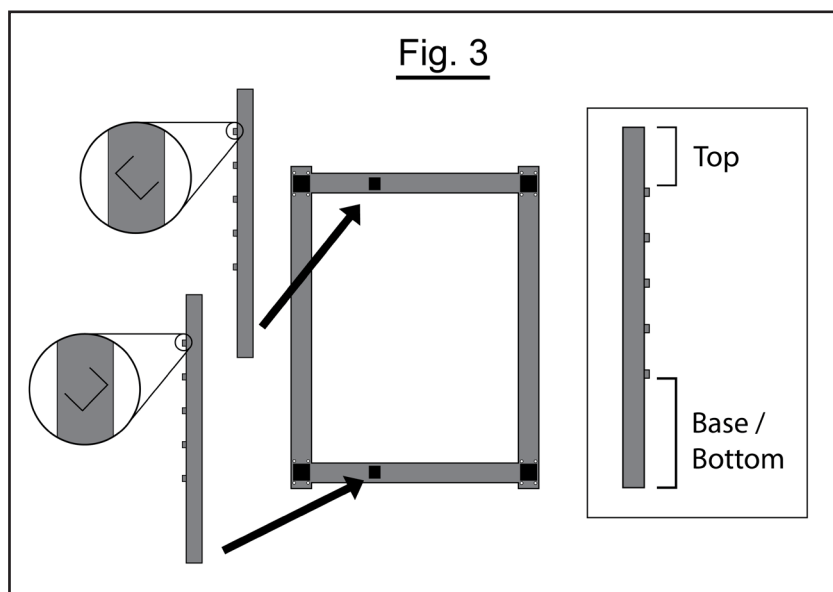
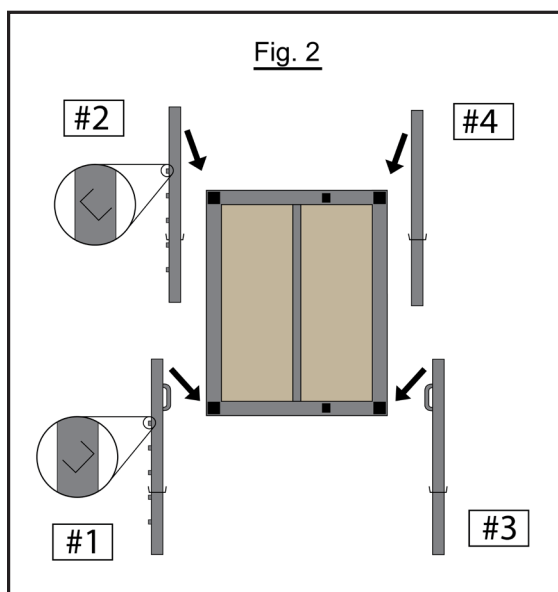
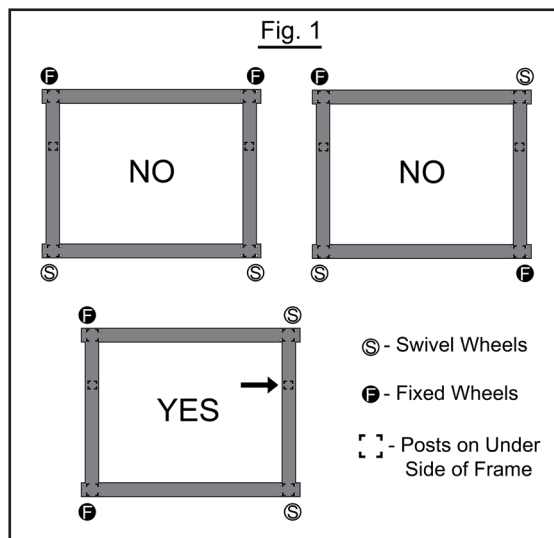
5. Attach the beam with 'U' slots and no handle (Beam #2) adjacent to Beam #1 along the long side, also away from the nubs. Make sure the 'U' slots are facing each other between Beams #1 and #2. Bolt into place.

6. Attach beam with a handle and no 'U' slots (Beam #3) adjacent to Beam #1 along short side, with the nub in between. Again, make sure the handle extends out from the short side of the frame. Bolt in place.

7. Attach the remaining plain beam (Beam #4) to the last post, diagonal from Beam 1. Make sure the wire hooks face towards Beam #2. Bolt in place.

8. Top assembly is complete [Fig.2]. Rotate the top assembly upright.

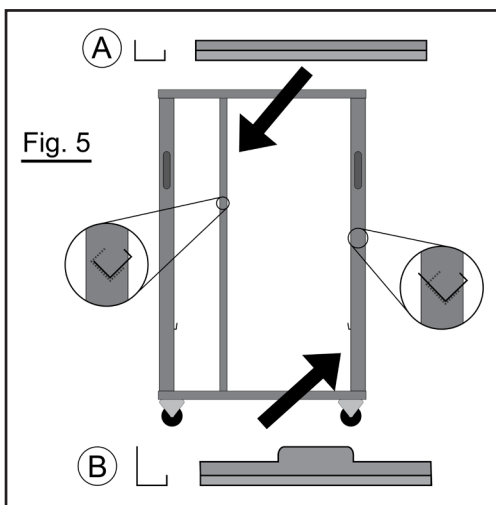
9. Place the mid support beams with 'U' slots onto the base with wheels. Make sure the 'U' slots face inward toward each other. The longer space between the end 'U' slot and the end of the beam should attach to the base assembly; the shorter-spaced end should be in the air, to attach to the top assembly [Fig.3]. Bolt the mid support beams to the nubs.



# INSTALLATION INSTRUCTIONS

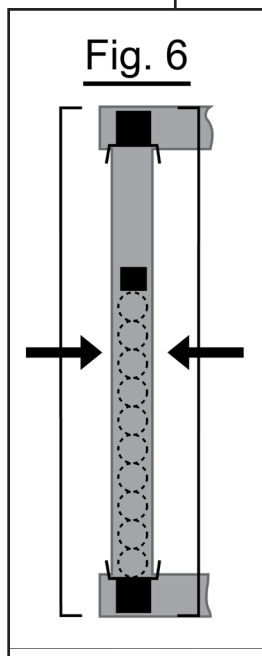
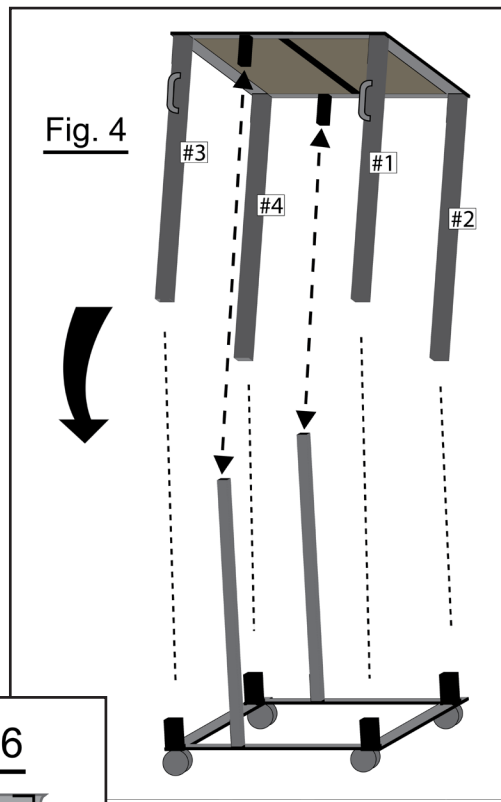
10. Connect the top assembly to the bottom assembly: Align the short side of the top with the handles with the short side of the base that has the swivel wheels. The mid support beams connected to the bottom assembly should slide over the nubs on the top assembly, and the corner beams will slide over the corner nubs on the bottom assembly [Fig.4]. Bolt the 4 corner beams to the bottom, and tighten the bolts at the top of the mid support beams.

11. Place the table top cross bars: the plain bars should be placed between the mid support beams [Fig.5, A] with the two edges of the bar extending toward the nearest corner beams, while the bars with extensions should go from Beam #1 to Beam #2 [Fig.5, B]. The extensions should be on the bottom side of the bracket, extending toward the mid support beams.



12. Add the pedestal leg holders: attach the holder bars by sliding two bars onto the wire hooks on either side of Beams #2 and #4, then Beams #1 and #3. Make sure that the bracketed ends wrap around the corner beams they extend between. Insert the leg holder tubes between the two bars [Fig.6].

13. Slide the base holder extensions onto the round protrusions on the top of the cart. Bolt in place.



## PRODUCT WARRANTY

Celina Tent Inc. warrants that this product will be free from defects in material and workmanship for a period of one (1) year following the date of purchase. Defects are limited to any defect which is a result of the manufacturing process. Excluded are holes, punctures, or other damages which can be caused during normal installation of a tent whenever proper procedures are not followed. Celina at its option will repair or replace this product or any component of product found to be defective during this warranty period. This warranty is valid for the original purchaser only, and is not transferable. This warranty does not cover normal wear or damage resulting from negligent use or misuse of the product, use contrary to instructions, repairs or alterations by anyone other than Celina, or forces of nature. Celina Tent is not responsible for methods that installers may choose to erect and secure the tent to the ground. Celina's responsibility is limited to the manufacture of the tent parts and materials.

This warranty is in lieu of all other warranties, and there are no warranties, expressed or implied, including warranties of merchantability of fitness for a particular purpose, which extend beyond the description on the face hereof. Celina Tent Inc. shall not be liable for any incidental or consequential damages. Some jurisdictions do not allow the exclusion of implied warranties or the imitation on incidental or consequential damages, so the above exclusions and limitations may not apply to you.