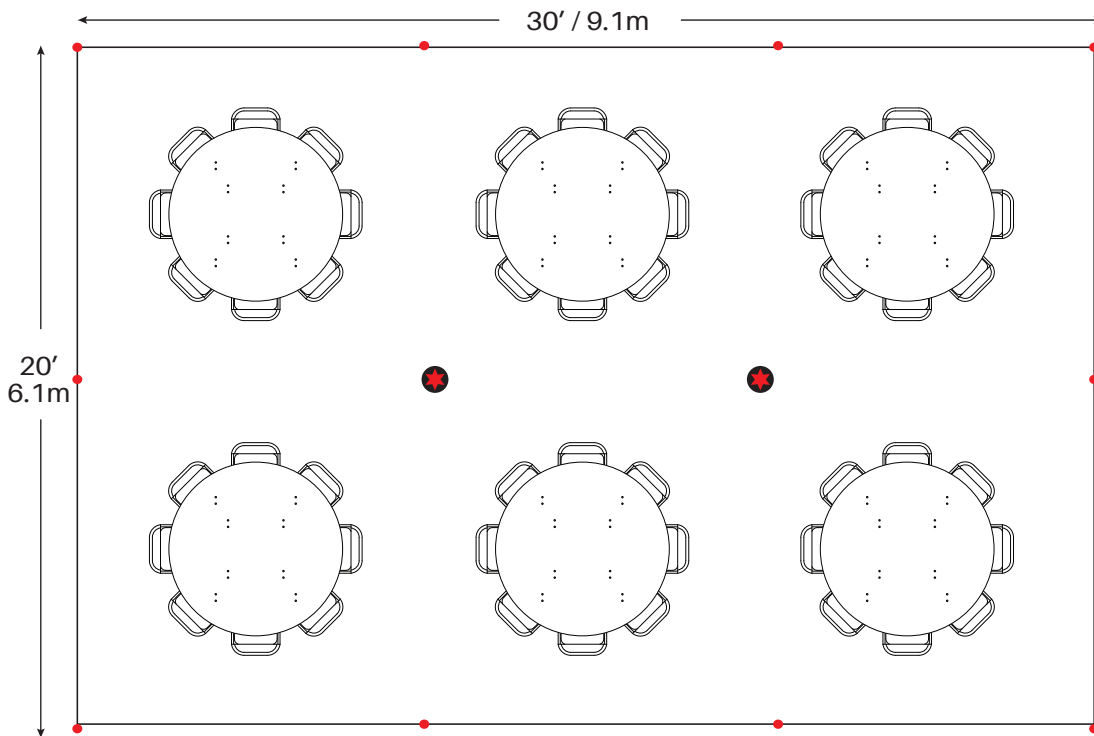
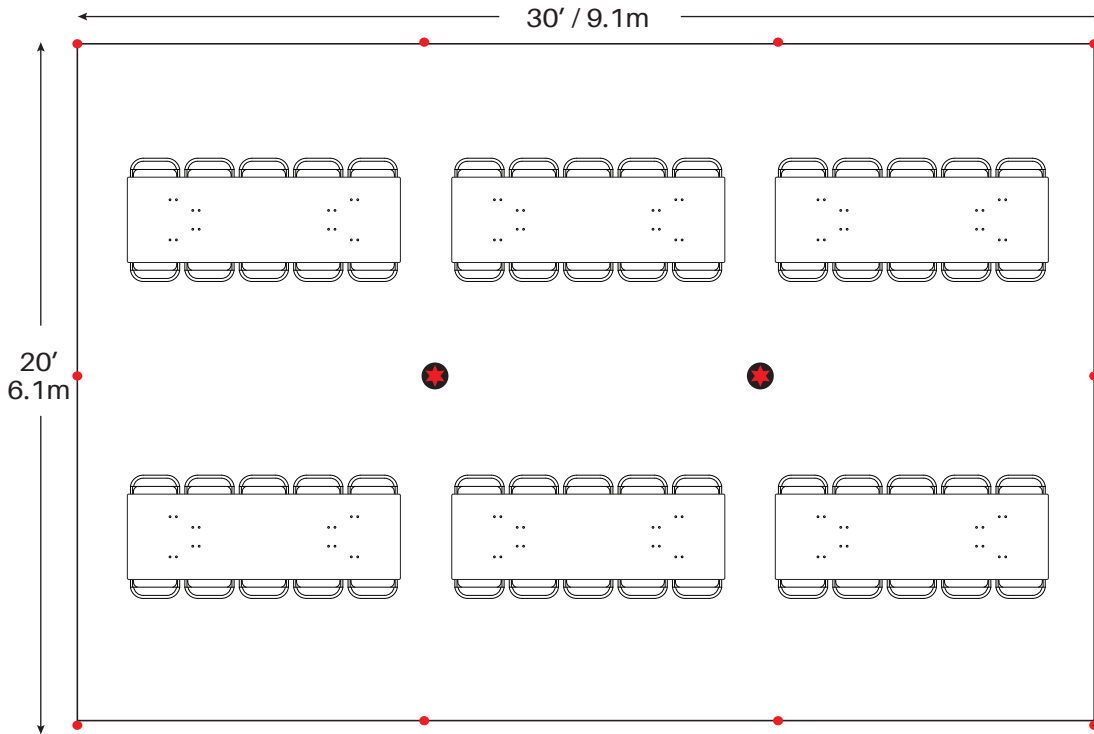


4 - 72" Round Tables
40 - Chairs

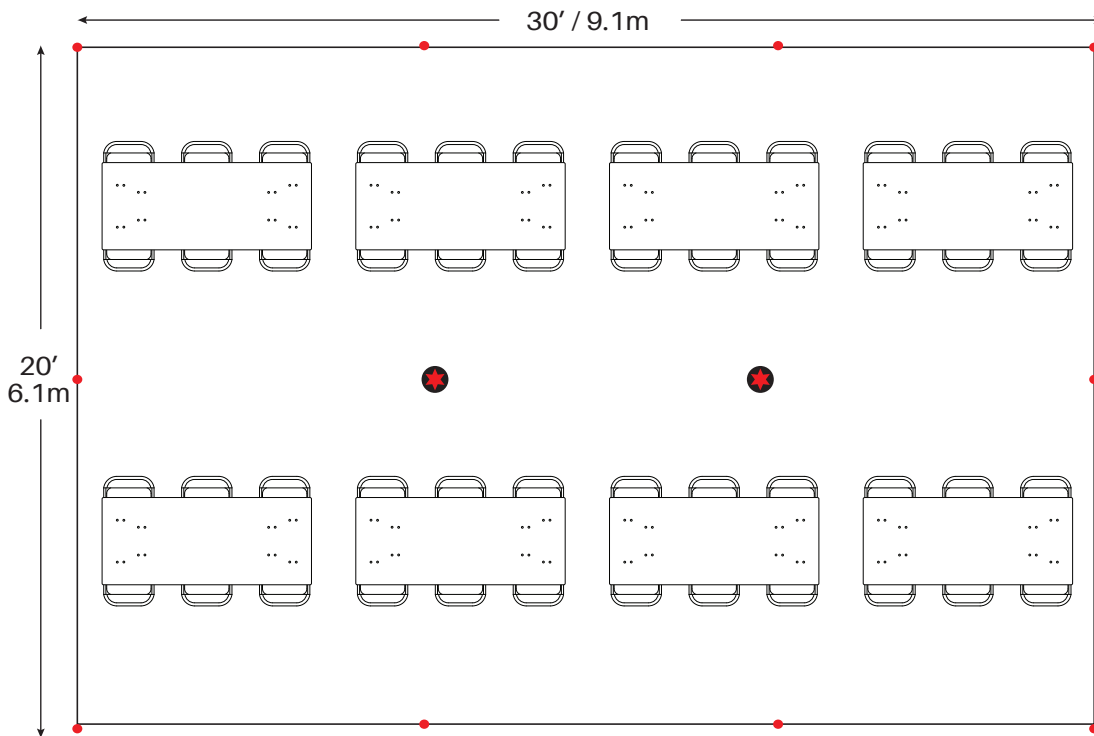


6 - 60" Round Tables
48 - Chairs

★ = Center Pole ● = Legs
Minimum Seating Layouts

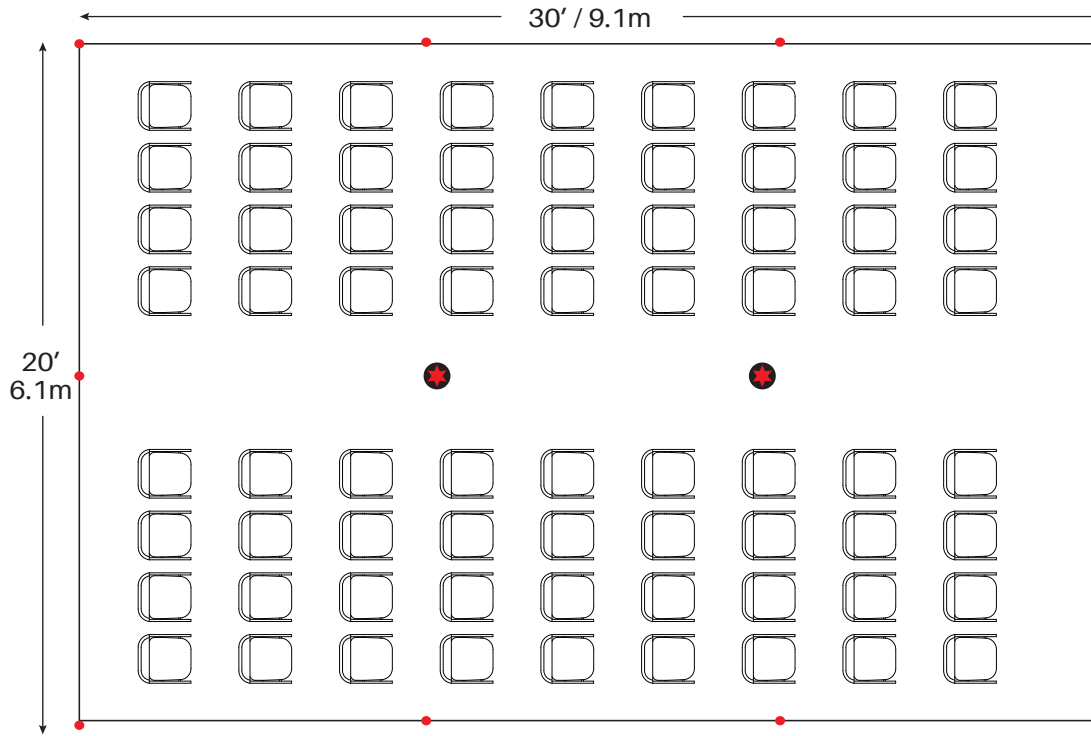


6 - 8' Banquet Tables
60 - Chairs



8 - 6' Banquet Tables
48 - Chairs

★ = Center Pole ● = Legs
Minimum Seating Layouts



Cathedral Seating - 72 Chairs

● = Center Pole ● = Legs
Minimum Seating Layouts