

30"x96" Banquet Folding Table (Replacement) Legs

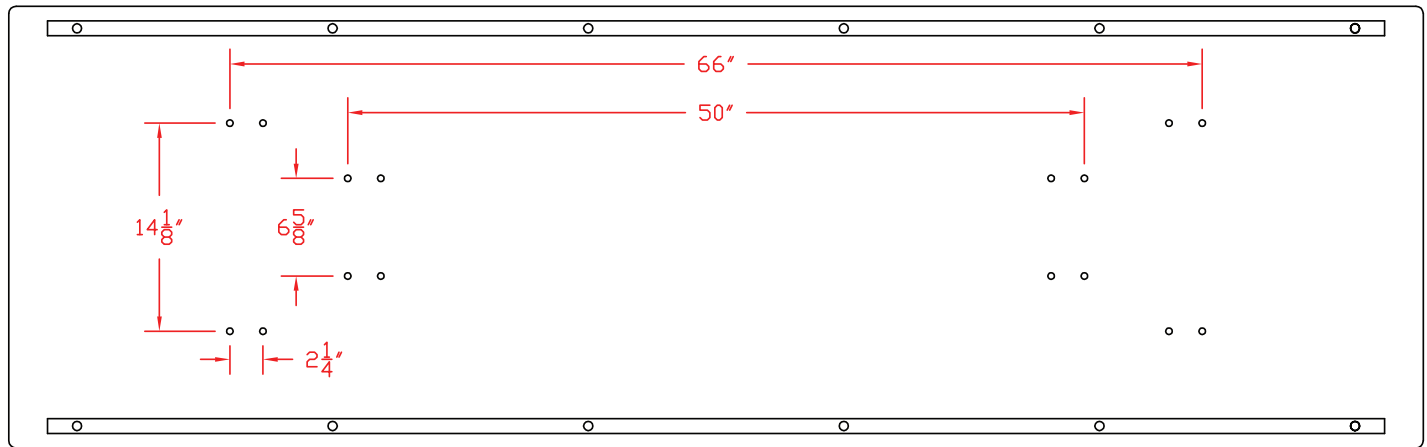


Figure 1

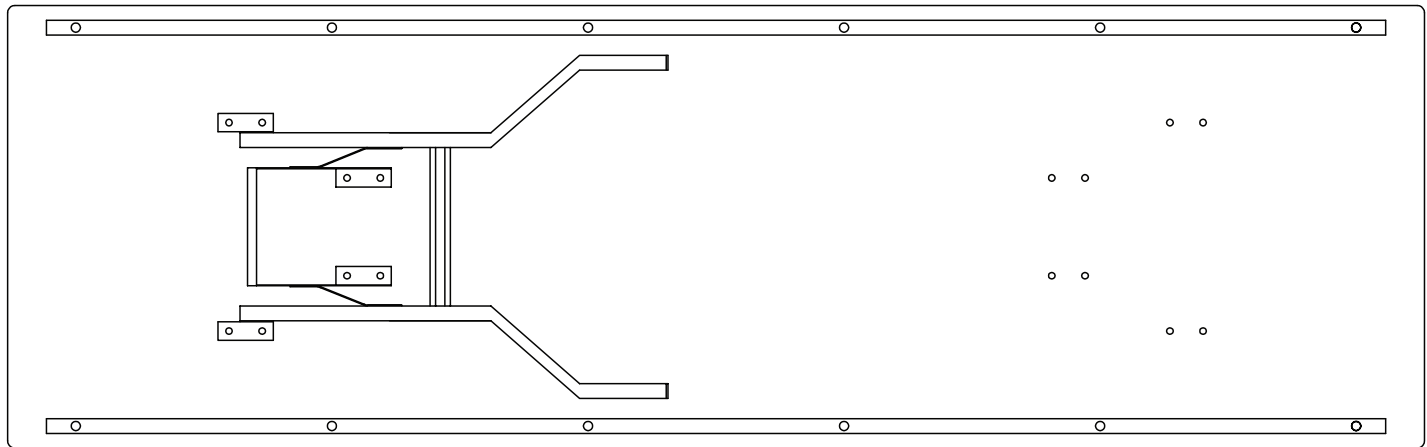


Figure 2

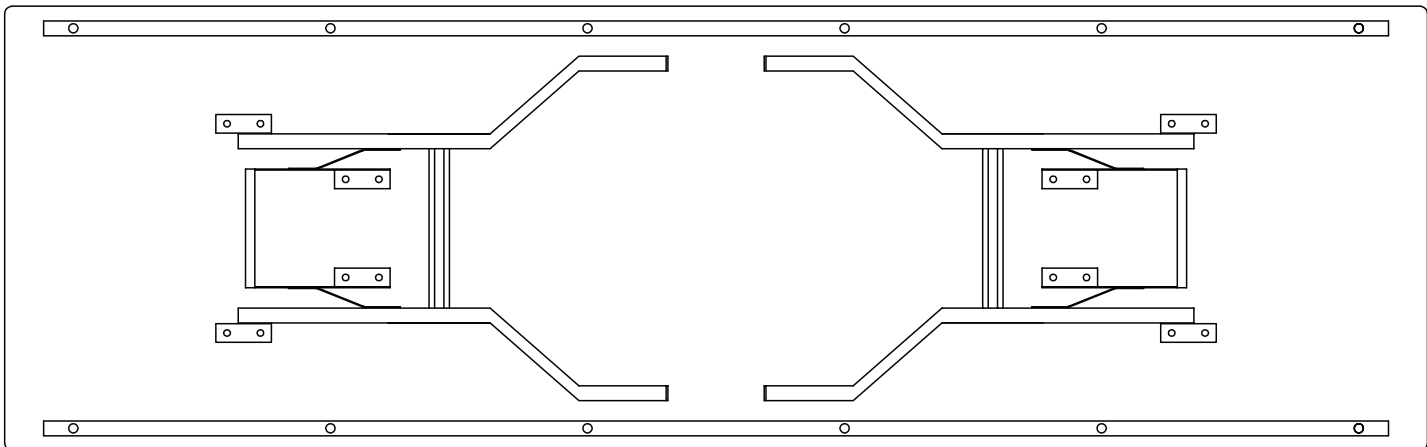


Figure 3

Replacement Table Legs:

The replacement legs should be centered on the table and spread apart from each other the distance listed on figure 1. To ensure accuracy; please lay replacement legs on the table to use as a template. Replacement legs are counter sunk bolted directly to the table.



A Division of **CELINA TENT**

Phone: 419-586-3610 / 866-438-8368 Fax: 419-584-0949

Website: www.GetTent.com/instructions.htm / E-Mail: support@celinatent.com