

20' x 30' Presto User's Manual



A world leader in manufacturing of engineered fabric products and distribution of event equipment.



5373 State Route 29, Celina Ohio, 45822
Phone: 419-586-3610; 866-438-8368 (Toll Free) Fax: 419-584-0949

CONTENTS

CONGRATULATIONS!	2
WARRANTY	2
WARNING	2
BEFORE YOU DIG	2
INSTALLATION SITE INSPECTIONS	3
PACKING LIST	3
PARTS BREAKDOWN.....	3
PRESTO SETUP INSTRUCTIONS	4
DISASSEMBLE THE TENT	6
TENT CARE, CLEANING AND STORAGE	6
VINYL CLEANER.....	6
VINYL REPAIR	6
CUSTOMER SUPPORT	6
Appendix 1 "Call before you dig"	7

CONGRATULATIONS!

Congratulations on your purchase of this 20' x 30' Presto Tent. This complete canopy package is ideal for backyard gatherings, graduation parties, and rental companies looking for a great return on their investment. The Presto! comes equipped with all the necessary hardware for immediate set up including installation instructions with illustrations and a convenient carrying bags for easy transport. The Presto! is not only a perfect solution for companies that specialize in 1 & 2 day rental events and over the counter rentals, but also any homeowner who simply enjoys outdoor entertaining with friends and family.

It is suggested that you read the entire assembly instructions completely before you begin. This will help attain the best results for your installation.

WARRANTY

Celina Tent Inc. Warrants our product will be free from defects in material and workmanship for a period of one (1) year following the date of purchase. Defects are limited to any defect which is a result of manufacturing process. Excluded are holes, punctures, or other damages which can be caused during normal installation of a tent, whenever proper procedures are not followed. Celina Tent Inc. at its option, will repair or replace this product or any component of product found to be defective during this warranty period. This warranty is valid for the original purchaser only, and is not transferable. This warranty does not cover normal wear or damage resulting from negligent use or misuse of the product, use contrary to instructions, repair or alteration by anyone other than Celina Tent Inc. or forces of nature.

This warranty is in lieu of all other warranties, and there are no warranties, expressed or implied, including warranties of merchantability of fitness for a particular purpose, which extend beyond the description on the face hereof. Celina Tent Inc. shall not be liable for any incidental or consequential damages. Some jurisdictions do not allow the exclusion of implied warranties or the imitation on incidental or consequential damages, so the above exclusions and limitations may not apply to you.

Color variations are an inherent characteristic of vinyl products. We work closely with our vinyl supplier to ensure quality and uniformity of the product and that any variations are kept to a minimum.

WARNING

Tent products are manufactured for use as temporary structure and do not meet structural code, unless specified. Since weather is unpredictable, the customer must incorporate their own good judgment, common sense & knowledge of local conditions with the installation instruction guidelines. The customer is responsible to anticipate weather severity for proper time and method of construction.

BEFORE YOU DIG

By Law you are required to contact your local "Call before you dig" number before you plan to dig. After calling, your local utility company will mark the location of underground utility lines. Laws from state to state vary on how far in advance you must call. Planning ahead and checking with your state's program is always a smart idea. Failure to obtain a line location before digging can result in a substantial fine. Please find your local "call before your dig number" in the appendix section of this manual.



INSTALLATION SITE INSPECTIONS


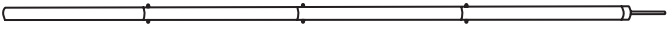



The customer must evaluate each installation site and determine the proper securing and anchoring method and device appropriate for the conditions. Some soils require different staking or securing than what may be purchased with standard tent package. Celina tent Inc, highly recommends the customer engages in thorough training with their tent installers. Celina tent Inc "tent instructions" and "layout Handbook" summarize all the functions of each product, the rules for using them and suggestions for their use. Celina Tent Inc, video instructions illustrate general graphic examples of operating techniques. Following the instruction given under the condition specified or illustrated will provide proven satisfactory results. However, field situation, site conditions, weather and local experience may mandate other methods. Celina's layout hand book and instructional videos can be viewed at www.GetTent.com.

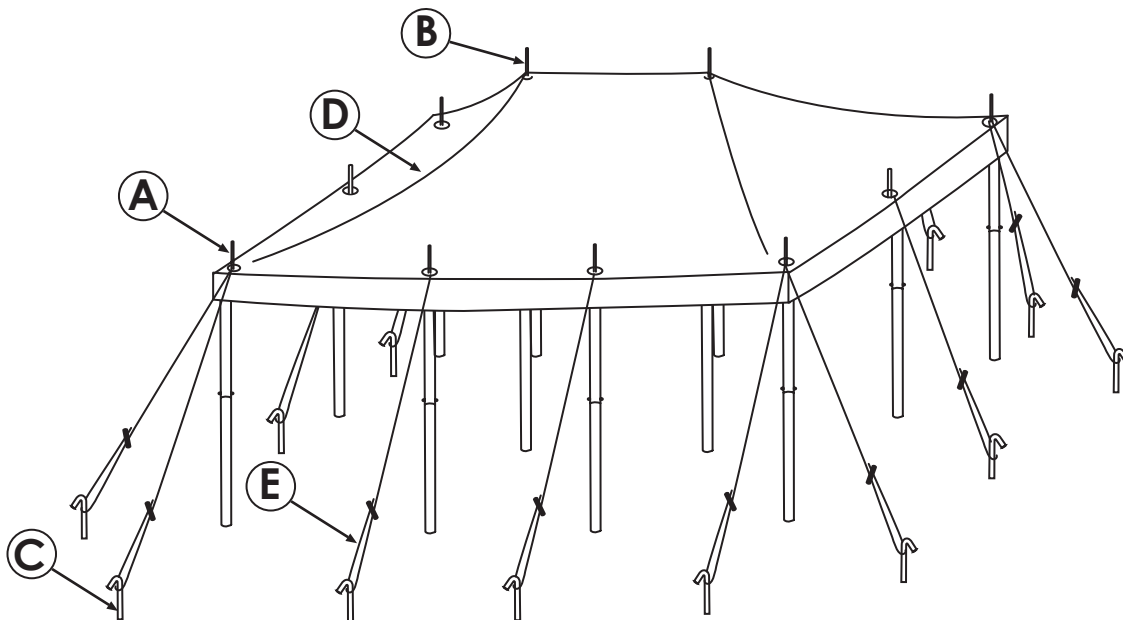
PACKING LIST

Please check to make sure you have all parts required:

PARTS LIST			
KIT / OTC-PKIT-SPS	KIT / OTC-PKIT-4AP	KIT / OTC-PKIT-20CP	Tent Top Box
2- 7' Side poles (2 Piece) 2-24.6" Anchoring Pins 1-Side Pole Bag Total Kit Qty: 5	4-24.6" Anchoring Pins 1-Anchoring Pin Bag Total Kit Qty: 1	1-153" Center Pole (4 Piece) 1- Center Pole Bag Total Kit Qty: 2	1-Tent Top 1-Tent Top Bag

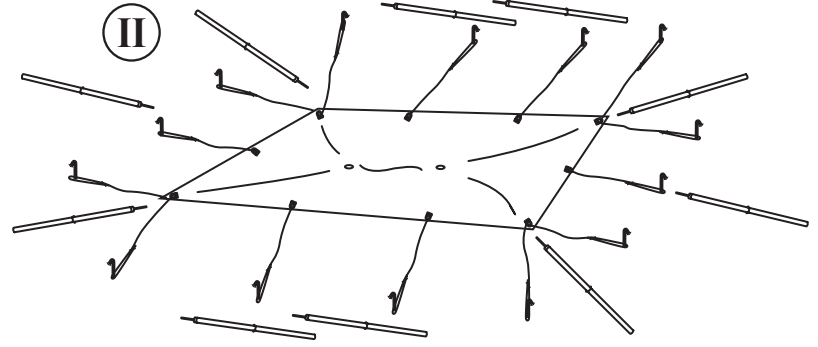
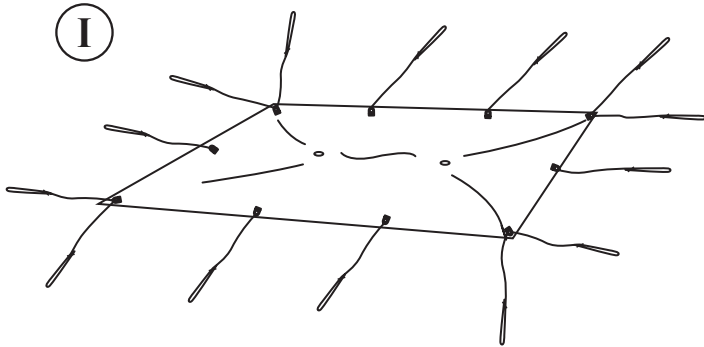
PARTS BREAKDOWN

Letter	Description	Qty	Picture
A	7' Side Poles (2 Piece)	10	
B	153" Center Pole (4 Piece)	2	
C	24.6" Anchoring Pins	14	
D	Tent Top	1	
E	Guy Ropes (Attached to tent top)	14	

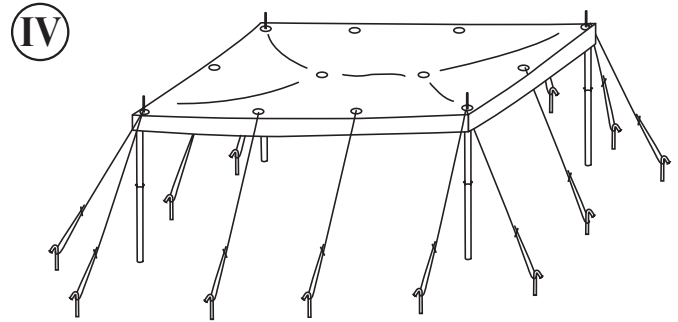
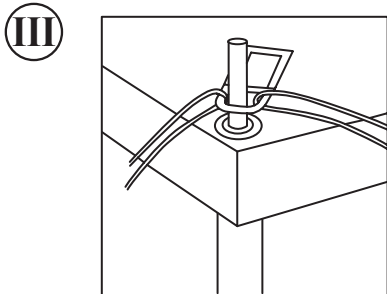


20' X 30' PRESTO SETUP INSTRUCTIONS

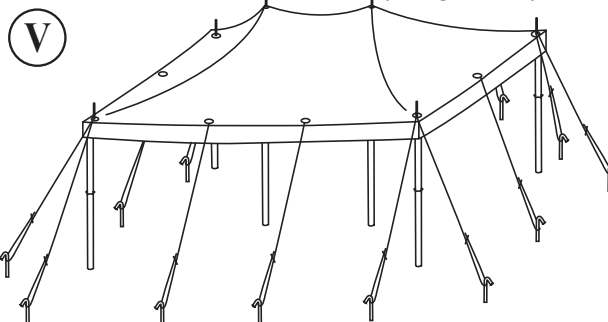
- 1) Spread the drop cloth where the tent will be erected and remove tent top from the bag.
 - a. Drop Cloth Sold Separately, not included in tent package.
- 2) Unroll and unfold the tent top on the desired spot to be covered. Keep the tent top as square as possible. Pull the perimeter of the tent as tight as possible, the center of the tent top will not be tight or lay flat due to the peak of the tent.
- 3) Stretch the ropes straight out to their full length (Diagram I).



- 4) Layout all of the hardware around the tent (Diagram II):
 - Assemble the 2 piece side poles together
 - 1 pole to each grommet location
 - Place the anchoring pins approximately 3.5' from the grommet locations
 - 2 anchoring pins go to each corner location (place 90° apart)
 - Assemble the 4 piece center poles together
- 5) Drive all anchoring pins vertically into the ground approximately 3.5' (half the height of the side poles) from the pole locations. Let approximately 6" of the stake exposed (Diagram II).
- 6) Loop the rope around the hook on the anchoring pin while the tent top is laying on the ground (Diagram II).
- 7) The corner poles are now ready to be erected. Start at opposite corners and insert the pole pin through the metal double D ring and the brass grommet (very important that the pin goes through both holes, Diagram III). Set the corner poles so they are leaning in towards the tent at about a 60°-75° angle. Insert the remaining corners poles (Diagram IV). When all the poles are up in the air, a good portion of the weight has been lifted, and easier access has been provided to the center of the tent.

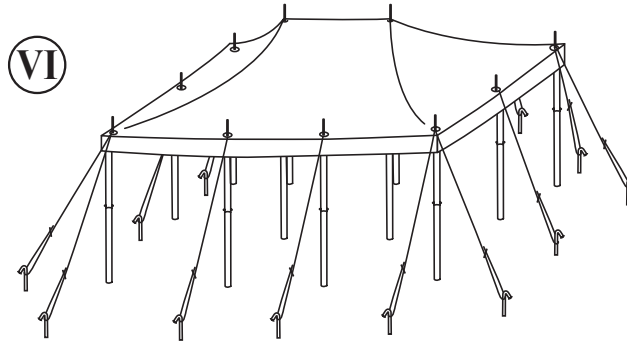


- 8) Insert the center pole tip through the center "O" ring and brass grommet; make sure that the pin is not caught on any part of the tent top. Push the center pole into a vertical position (Diagram V).



20' X 30' PRESTO SETUP INSTRUCTIONS CONTINUED

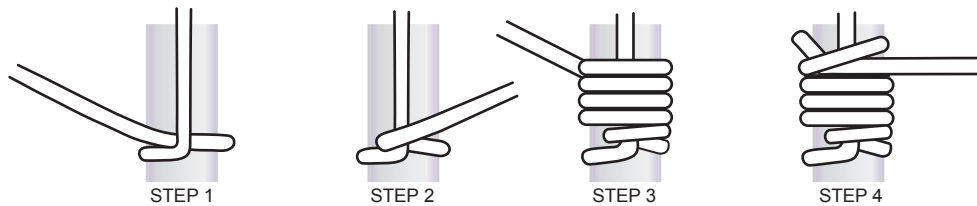
9) Tighten all corner ropes using the wooden rope adjuster until the corner poles are vertically straight up and down. The perimeter of the tent should be taut. If the tent is not taut, make sure all the perimeter poles are in line and check the squareness of your tent by measuring diagonally from corner pole to corner pole and make sure both diagonal measurements are the same. All of the poles should be inserted (Diagram VI).



10) Straighten the center pole so it's setting vertical straight up and down. To do this the corner ropes may need to be loosened.

11) At this point the tent top should be erect, with the corner poles and center pole vertically straight.

12) Tie off the jump rope attached at each center pole location. This rope is necessary to secure the pole to the tent top because wind can create up lift conditions and pull the tent top off of the pole pins, which could cause the tent to collapse or the pin to puncture the tent top. Secure the jump rope by pulling it 5 to 6 feet down the pole, bringing it around the pole and then between the pole and the rope itself. Pull it back taut to create tension on the vertical length. Now wrap the rope around the pole and vertical portion of the jump rope creating a tight coil that keeps the rope from slipping up. On the last coil, pull the end of the rope through to tie it off. (see diagram).



13) The tent top should now be complete! If sidewalls are desired, unroll the sidewalls between the stakes and the side poles around the perimeter of the tent. Starting at a side pole, clip the sidewall snap hooks to the rope line that is attached to the tent top.

DISASSEMBLE THE TENT

Simply reverse the instructions above. Take extra care in windy conditions to avoid tent from damage and personal injury.

TENT CARE, CLEANING AND STORAGE

For maximum life of Celina fabrics, Celina recommends regular cleaning with the use of a soft brush with neutral soaps or cleaners, such as Celina Tent Cleaner, Ivory dish soap, or warm water. Thorough rinsing and drying is required before storing them.

Things that will cause premature degradation and reduced life expectancy of your tents:

- Extended use of the tent without cleaning
- Accumulation of dirt on the vinyl surface will promote the growth of mold and mildew and premature wear.
- Storage of vinyl that has not been dried thoroughly
- Even a slightly damp product can promote the growth of mildew when folded and stored. Mold and/or mildew may require harsh cleaners to remove, which may cause premature wear. The best solution is to take every precaution to keep mold and mildew from growing in the first place.
- Harsh Detergents and Cleaners, which contain a Solvent or Bleach
- The longer the exposure of PVC vinyl to these products, the more it will reduce the life of the PVC vinyl. If you or your customer decides to use a product containing a solvent or bleach, it is very important to remove it as quickly as possible, rinsing thoroughly and drying.
- High Abrasive Cleaners, including Wire Brushes, Power Washers and/or Commercial Washing Machines will result in premature wear and deterioration of tent fabrics.
- During installation/dismantling tents or canopies improper handling such as on a rough surface can create pinholes and abrasions.
- Wind whip will also damage the tent.

VINYL CLEANER

First impressions are important; therefore, make your tents shine with our vinyl cleaning products. Many rental companies rely on referrals to increase their business so make sure your tent is clean and mildew free for your next event. Please visit GetTent.com for more information on our cleaning products.

VINYL REPAIR

Avoid an embarrassing situation by being prepared for small accidents that can happen in the field during tent installations. Celina's repair products provide a quick and easy applicable solution to small tears and puncture holes when there is no time to spare. Our repair kits are equipped with multiple colors for versatility in the field. Please visit GetTent.com for more information on our vinyl repair products.

CUSTOMER SUPPORT

If you have any questions, please contact Celina Tents support department at:

support@celinatent.com

1-866-GET-TENT /419-586-3610

www.GetTent.com



APPENDIX 1 "CALL BEFORE YOU DIG" NUMBER

STATE	CENTER	PHONE
Alabama	Alabama Line Location	800/292-8525
Alaska	Locate Call Center of Alaska	800/478-3121
Arizona	Arizona Blue Stake	800/782-5348
Arkansas	Arkansas One Call System	800/482-8998
California	Underground Service Alert	800/227-2600
Colorado	Utility Notification Center of Colorado	800/922-1987
Connecticut	Call Before You Dig	800/922-4455
Delaware	Miss Utility of Delaware	800/282-8555
Florida	Call Sunshine	800/432-4770
Georgia	Utilities Protection Center	800/282-7411
Hawaii	Underground Service Alert North	800/227-2600
	Underground Service Alert South	800/227-2600
Idaho	Palouse Empire Underground	800/822-1974
	Utilities Underground Location Center	800/424-5555
	Dig Line	800/342-1585
	One Call Concepts - Idaho	800/626-4950
	Shoshone County One Call	800/398-3285
Illinois	Chicago Utility Alert Network	800/892-0123
Indiana	Indiana Underground Plant Protection	800/382-5544
Iowa	Underground Plant Location Service	800/292-8989
Kansas	Kansas One-Call Center	800/344-7233
Kentucky	Kentucky Underground Protection	800/752-6007
Louisiana	Louisiana One Call System	800/272-3020
Maine	Dig Safe - Maine	888/344-7233
Maryland	Miss Utility	800/257-7777
	Miss Utility of DESMARVA	800/282-8555
Massachusetts	Dig Safe-Massachusetts	888/344-7233
Michigan	Miss Dig System	800/482-7171
Minnesota	Gopher State One Call	800/252-1166
Mississippi	Mississippi One Call System	800/277-6477
Missouri	Missouri One Call System	800/344-7483
Montana	Utilities Underground Location Center	800/424-5555
	Montana U-Dig	800/551-8344
Nebraska	Diggers Hotline	800/331-5666
Nevada	Underground Service Alert North	800/227-2600
New Hampshire	Dig Safe-New Hampshire	888/344-7233
New Jersey	Garden State Underground	800/272-1000
New Mexico	New Mexico One Call System	800/321-2537
	Las Cruces-Dona Ana Utility Council	888/526-0400

STATE	CENTER	PHONE
New York	Dig Safely New York	800/926-7962
	New York City-Long Island One Call	800/272-4480
North Carolina	North Carolina One Call	800/634-4949
North Dakota	North Dakota One Call	800/795-0555
Ohio	Ohio Utilities Protective Service	800/362-2764
	Oil & Gas Producers Underground	800/925-2988
Oklahoma	Call Okie	800/522-6543
Oregon	Oregon Utilities Notification Center	800/332-2344
Pennsylvania	Pennsylvania One Call System	800/242-1776
Rhode Island	Dig Safe-Rhode Island	888/344-7233
South Carolina	Palmetto Utility Protection Service	800/922-0983
South Dakota	South Dakota One Call	800/781-7474
Tennessee	Tennessee One-Call System	800/351-1111
Texas	Texas One Call System	800/245-4545
	Texas Excavation Safety System	800/344-8377
Utah	Lone Star Notification System	800/669-8344
Vermont	Blue Stakes Location Center	800/622-4111
Virginia	Dig Safe - Vermont	888/344-7233
	Miss Utility of Virginia	800/552-7001
	Miss Utility	800/257-7777
Washington	Miss Utility of DELMARVA	800/441-8355
	Notification Center	800/424-5555
	Utilities Council of Cowlitz County	360/425-2506
	UpperYakima City Underground	800/553-4344
	Inland Empire Utility Coordinating	509/456-8000
West Virginia	Miss Utility of West Virginia	800/245-4848
Wisconsin	Diggers Hotline	800/242-8511
Wyoming	Wyoming One Call	800/348-1030
	Call Before you Dig Wyoming	800/849-2476
District of Columbia	Miss Utility	800/257-7777
Canada	Alberta One Call	800/242-3447
	Ontario	800/400-2255
	Info-Excavation (Quebec)	800/663-9228
	BC One Call	800/474-6886
	Manitoba - Winnipeg	240/480-1212
	Manitoba & Saskatchewan Safe	800/827-5094