

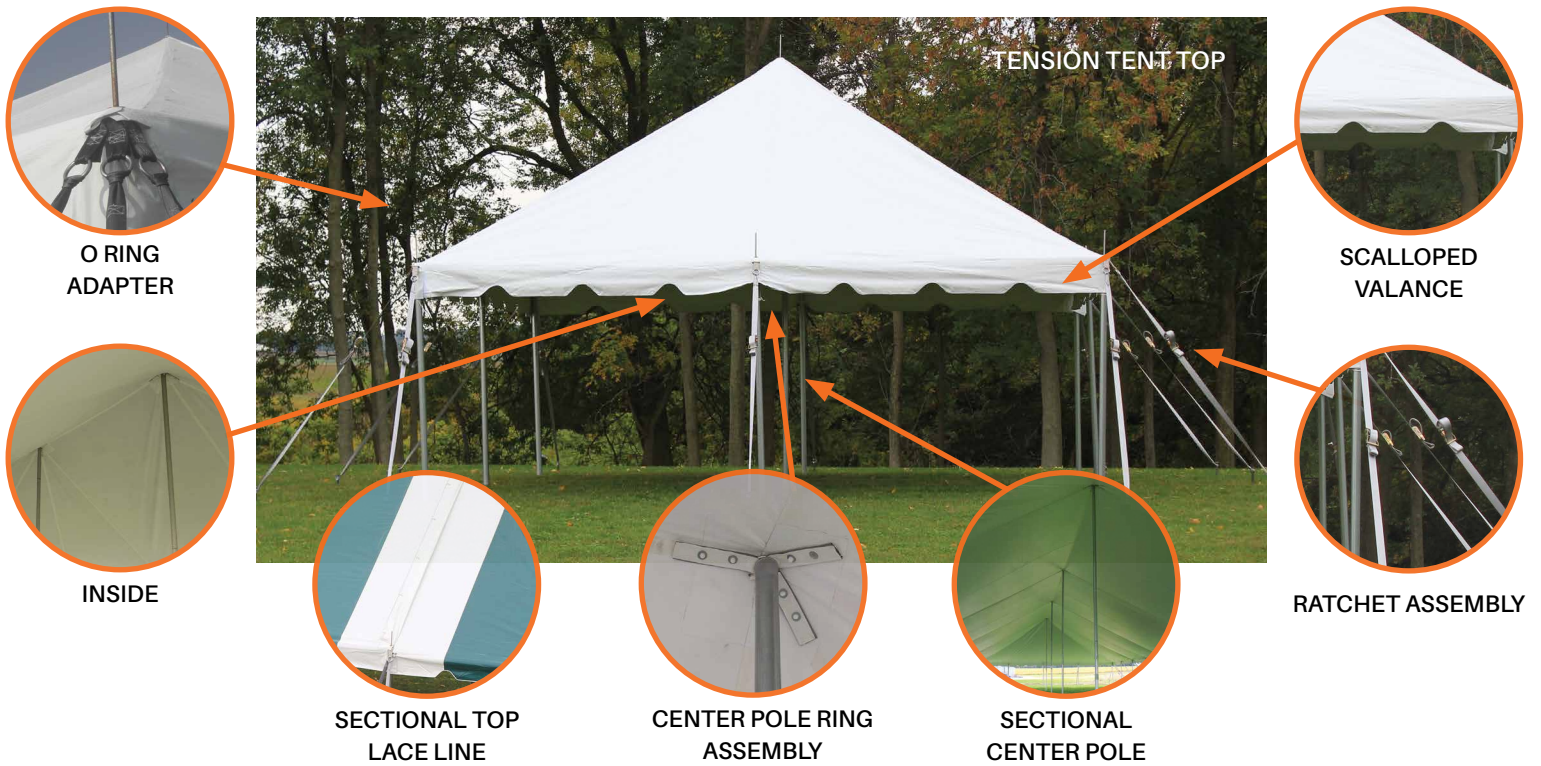


CLASSIC SERIES POLE TENT

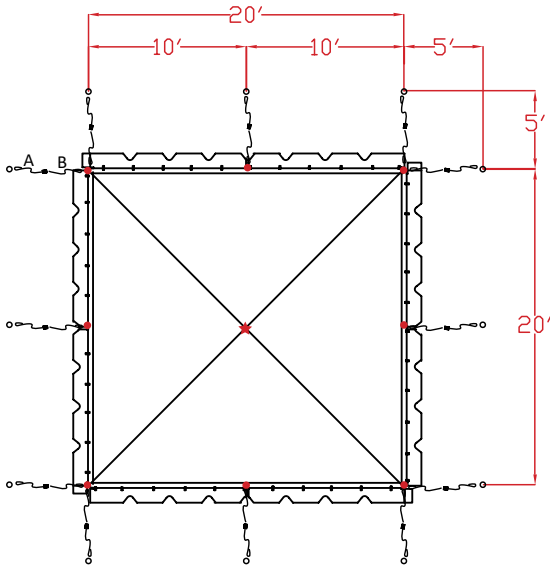
Celina's Classic Series Pole Tents are designed to be used at all types of events, due to the simple tensioning design. The tent top of a Classic Series Pole Tent is supported by center poles in the middle of the tent top, which are tensioned down to each of the corner and side poles. These poles are then anchored to stakes via ropes or ratchet assemblies, stabilizing the entire tent system.

Classic Aesthetic • Minimal Hardware • Custom Printing Available





Component Overview:



Key				
Symbol	●	★	○	🔗
Description	Side Poles	Center Pole(s)	Stake / Anchor	Ratchet Assembly

General pole tent construction shown on a 20' x 20'

Tent Construction:

- 16 oz. blockout, flame resistant, mold and mildew resistant vinyl
- All panels are bonded with 1" (2.5 cm) heat sealed overlapped seams
- 5/32" (3.9 mm) Nylon sidewall rope line around perimeter of tent top
- Sidewall rope line is replaceable if ever needed
- 2" (5 cm) vinyl webbing multi-layered reinforcements at all pole locations
- Tent top center pole ring assemblies sewn and bolted in place for support
- Jump ropes attached at each pole location
- Scalloped valances bound with vinyl binding
- 95% of tent top is bonded with heat sealed construction
- Stock colors and custom printing available by special order



MULTI-LAYERED REINFORCEMENTS



SIDEWALL ROPE



IDENTIFICATION LABEL FLAME CERTIFICATE