

60' x 240' PREMIERE II HIGH PEAK POLE TENT SECTIONAL PRODUCT MANUAL

ver.20170616



Read this manual before using this product. Failure to do so can result in serious injury.
SAVE THIS MANUAL



NOTICE

The warnings, cautions, and instructions discussed in this instruction manual cannot cover all possible conditions and situations that may occur. It must be understood by the user that common sense and caution are factors which cannot be built into this product, but must be supplied by the installer and/or user.

Tent, canopy, structure, and shelter products are manufactured for use as temporary structures and do not meet structural code unless specified. Since weather is unpredictable, the installer/end user must incorporate their own good judgment, common sense and knowledge of local conditions with the installation instruction guidelines. The installer is responsible for anticipating weather severity for proper time and method of installation.

WARNING SYMBOLS AND DEFINITIONS

| | |
|-----------------|--|
| | This is the safety alert symbol. It is used to alert you to potential personal injury hazards. Obey all safety messages that follow this symbol to avoid possible injury or death. |
| ▲WARNING | Indicates a hazardous situation which, if not avoided, could result in death or serious injury. |
| ▲CAUTION | Indicates a hazardous situation which, if not avoided, could result in minor or moderate injury. |

Description



60' x 240' Premiere II Series High Peak Pole Tent, Sectional

The Premiere II Series Engineered High Peak Pole Tent is a fine outdoor wedding tent and commercial event tent, or perfect for party rentals, concerts, church services, and any large scale venues that need shelter from the elements. This engineered tensioned tent provides smooth transitions within its sweeping design and high peak canopy. The Premiere II High Peak Pole Tent is engineered to withstand 90mph, 3 second wind gusts, making it great for party rentals and high end events.

Suggested Equipment

Drop cloth or ground cloth, sledge hammer, or electric / gas breaker hammer fitted with stake driver bit, stake puller.

Premiere II Series High Peak Pole Tent Specifications

| | |
|----------------------------|---|
| Width | 60 ft. / 18.3m |
| Length | 240 ft. / 73.2m |
| Area | 14400 ft ² / 1339.6 m ² |
| Eave Height | 8' / 2.4m |
| Overall Height | 29'10" / 9.1m |
| Pitch | 21' / 6.4m |
| Complete Weight Aluminum | 9882 Lbs. / 4482 Kg. |
| Series / Brand | Premiere II |
| Class | Pole |
| Center Pole | Yes |
| Style / Shape | High Peak |
| Expandable | Yes |
| Custom Printing Available | No |
| Fabric Material | PVC Coated Polyester |
| Fabric Material Weight | 18 oz. / yd ² / 610 gsm |
| Fabric Translucency | Blockout |
| Water Repellency | Waterproof |
| Flame Resistant | Yes |
| UV Resistant | Yes |
| Mold and Mildew Resistant | Yes |
| Frame / Pole Material | Aluminum |
| Longest Component | 29'10" / 9.1m |
| Persons required for setup | 4 |
| Occupancy | 1440 Sit Down Dinner - 2400 Cathedral Seating |






SAFETY

INSTALLATION

MAINTENANCE

CONTACTS

PERSONAL SAFETY

-  **STAY ALERT:** Watch what you are doing, and use common sense when installing/striking a tent, canopy, structure, or shelter. Do not setup/strike while under the influence of drugs, alcohol, or medication. A moment of inattention may result in serious personal injury.
-  **DO NOT OVER LIFT:** The equipment may be heavy and may require 2 or more people to lift and move.
-  **DO NOT OVERREACH:** Keep proper footing and balance at all times. Use a ladder when necessary.
-  **DRESS PROPERLY:** Do not wear loose clothing or jewelry. Contain long hair. Keep hair, clothing, and hands/gloves away from power equipment and snag or pinch points.
-  **USE SAFETY EQUIPMENT:** Eye protection, safety shoes, hard hats, or hearing protection must be used for appropriate conditions.

WEATHER

Since weather is unpredictable, the installer/end user must incorporate their own judgment, common sense and knowledge of local conditions with the installation instruction guidelines. The installer is responsible for anticipating weather severity for proper time and method of installation.

- **Rain:** **⚠WARNING** Rain water can collect on the tent fabric and cause ‘ponding’ or ‘water pocketing’ under certain weather conditions, especially if the tent is not installed and tensioned correctly. The additional weight from the water will cause the tent to sag and ponding will continue to get worse. The weight can destroy the tent fabric and/or cause the poles and baseplates to sink into the soil. Highly saturated soil will cause the stakes to lose their holding power.
- **Wind:** **⚠WARNING** Wind or wind and rain can cause the tension of the tent to change by loosening ratchet assemblies, pulling stakes, and or causing the poles to shift or sink. It is very important to do routine maintenance checks and maintain proper tension on the tent top at all times especially if weather conditions are such that ratchets are beginning to loosen.
- **Lightning:** **⚠WARNING** Immediately evacuate the tent until the chance of a lightning strike is no longer present.
- **Snow:** Tents, canopies, structures, and shelters are not designed to carry any type of snow loading. These products should not be used if snow of any kind is present, and must be evacuated immediately.

SITE SELECTION

Site selection is extremely important. The installer must adhere to local building codes and fire regulations. The installer must evaluate each installation site and determine the proper securing and anchoring method and device appropriate for the conditions. Some soils require different staking or securing methods than what may be/have been purchased with the standard tent package. Celina Tent’s instructions, YouTube videos, and Layout Handbook summarize all the functions of each product, the rules for using them and suggestions for their use. However, field situations, site conditions, weather and local experience may mandate other methods. Review the following conditions at the proposed site and plan accordingly.

The best site qualities are:

- **Location:** Elevated, level, and clear of debris
- **Soil Conditions:** Adequate for stable anchoring
- **Space:** Adequate space for the perimeter and stake lines
- **Surface Type:** Grass, Gravel, Concrete, Asphalt, Wood
- **Site Access:** Materials and services can easily be delivered to the site

⚠WARNING Also allow for:

- **Overhead Obstructions:** Electrical/telephone lines, tree branches
- **Underground Utilities:** Electric, Gas, Oil, Steam, Telephone, CATV, Water, Sewer
- **Weather Effects:** Monitor for extreme weather conditions and evacuate if necessary
- **Emergency Exit Capabilities:** Provide evacuation routes in case of a fire or bad weather

Before You Stake

By law you are required to contact your local “Call before you dig” number before you plan to dig or drive tent stakes / anchors. After calling, your local utility companies will mark the location of all underground utility lines. Laws from state to state vary on how far in advance you must call. Planning ahead and checking with your state’s program is always a smart idea. Failure to obtain a utility line location before digging can result in a substantial fine or serious injury. Please find your local “call before your dig number” in the contacts section of this manual.

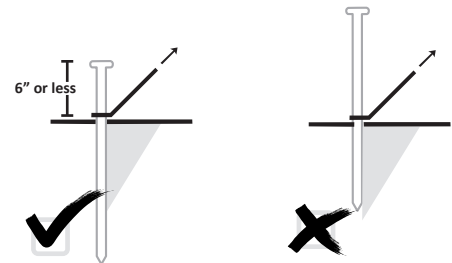
⚠WARNING Prior to staking, be sure that no underground utilities are present. Celina is not responsible for methods that installers may choose to erect and secure the tent, canopy, structure, or shelter to the site surface. Celina’s responsibility is limited to the manufacture of the tent parts and materials. It is the installer’s responsibility, not Celina’s, to determine the appropriate number of stakes to meet the necessary wind loads on the installation site.

⚠WARNING Soil and setup conditions can vary greatly between installation sites. It is the installer’s responsibility to be sure the staking is adequate for each site on each setup. Additional staking, tiebacks, and/or stake bars may be required in order to safely setup and secure the product.

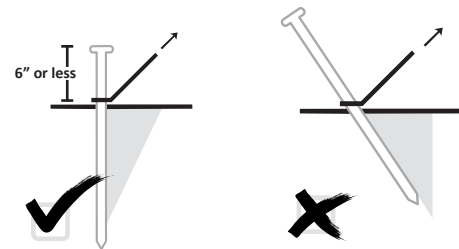
⚠WARNING The number of stakes suggested in this manual routinely does not meet the relevant local codes of the installation site. The number of stakes included in the standard kit will, in most cases, keep the tent, canopy, structure, or shelter setup. Due to various soil conditions the standard staking kit may be inadequate to keep the tent secure in high winds and wet or threatening weather. Regardless of the number of stakes included in standard kits, Celina makes no representation or warranty as to whether this is sufficient to meet the requirements for your installation site(s).

Staking Basics

A properly driven stake will have 6” or less of the head exposed. The deeper that the stake is driven, the greater holding strength the stake will have. Anchoring stakes must be driven deep and vertical.



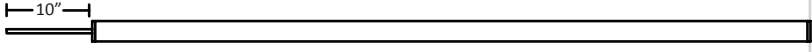
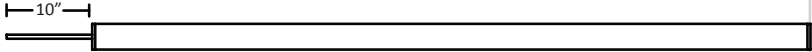
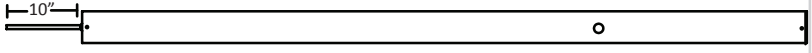

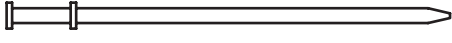

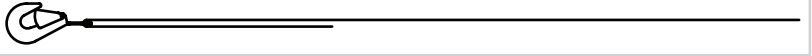
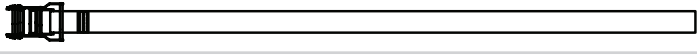


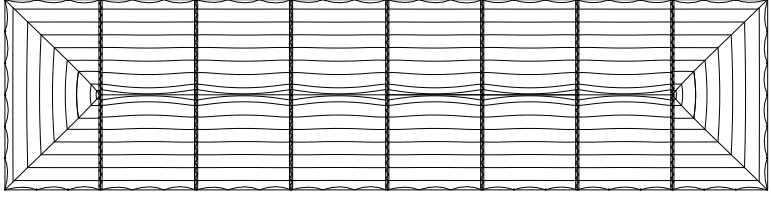
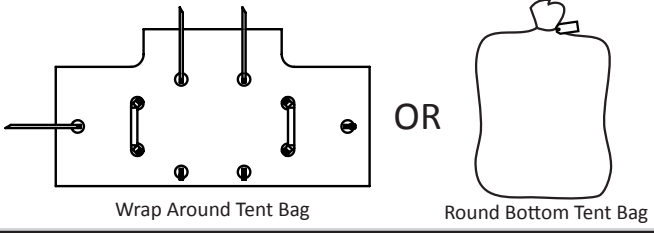
Stakes driven vertically have a greater holding strength than stakes driven at an angle. Vertically is defined as straight up down or angled up to 10° away from the tent, canopy, structure, or shelter.



For more information on staking and soil conditions, please view Celina Tent’s 15 part video series on YouTube.com or follow this link: Stake Pull Demonstration (1/15) www.goo.gl/v0XhV

REQUIRED HARDWARE

60' x 240' Premiere II Series High Peak Pole Tent, Sectional

| Key | Description | Size | Qty. | Picture |
|----------------------|---------------------------|-------------------|------|---|
| ○ | Side Pole(s) | 8'10" | 56 |  |
| ○ | Corner Pole(s) | 8'10" / 3.5" Dia. | 4 |  |
| ● | Center Pole(s) | 29'10" / 6" Dia. | 7 |  |
| ◻ | Stake Plate | 15" | 148 |  |
| ★ | Double Head Stake | 42" | 263 |  |
| ◻ | Box Ratchet | 2" | 108 |  |
| — | Tie Back | 2"x 16'10" | 108 |  |
| | Center Pole Ratchet | 2" Ratchet | 7 |  |
| | Galvanized Floor Flange | 3/4" | 14 |  |
| | Galvanized Nipple | 3/4" x 4" | 7 |  |
| | Tent Top | 60'x240' | 8pc. |  |
| | Tent Bag | C | 8 |  <p style="text-align: center;">Wrap Around Tent Bag OR Round Bottom Tent Bag</p> |
| OPTIONAL ACCESSORIES | | | | |
| | Anti-sink wood pole plate | | 67 | |
| | Sidewall(s) | 20' | - | |
| | Sidewall(s) | 30' | 20 | |

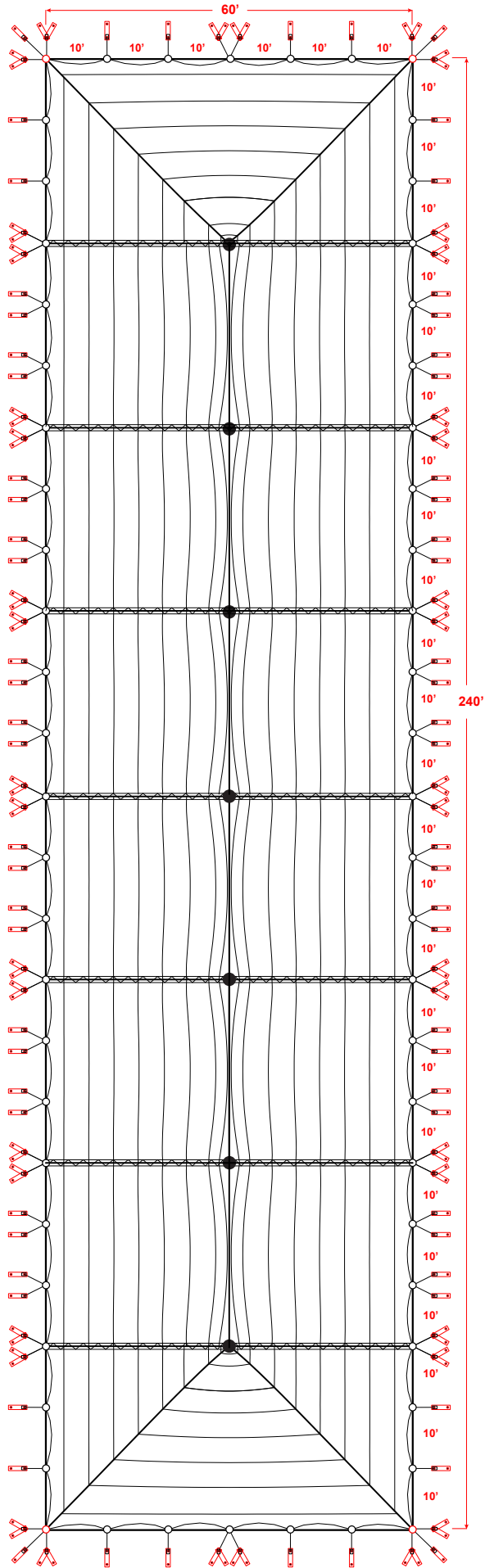
SAFETY

INSTALLATION

MAINTENANCE

CONTACTS

MINIMUM STAKING LAYOUT



SAFETY

INSTALLATION

MAINTENANCE

CONTACTS

Preliminary set-up

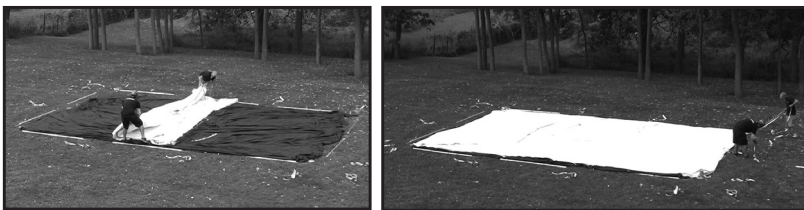
- Layout all of the staking hardware around the tent:
 - 3 box ratchets, 5 stake plates (2 sets of 2 placed 90° apart, one at 45°), and 8 stakes go to each corner location.
 - 2 box ratchets, 4 stake plates, and 6 stakes to each lace line location.
 - 2 box ratchets, 2 stake plates, and 4 stakes at each midsection grommet location.
 - 2 box ratchet, 4 stake plates, and 6 stakes to the side pole in the center of each end.
 - 1 box ratchet, 1 stake plate, and 2 stakes go to the end section grommet locations.
- Place the stakes approximately 5' from the grommet locations. Arrange the box ratchet so that the ratchet is facing the tent. Align one end of the stake plate on top of the hole in the box ratchet; drive a stake through both holes. Drive all of the stakes into the ground vertically until the bottom head is flush with the stake plate or box ratchet.



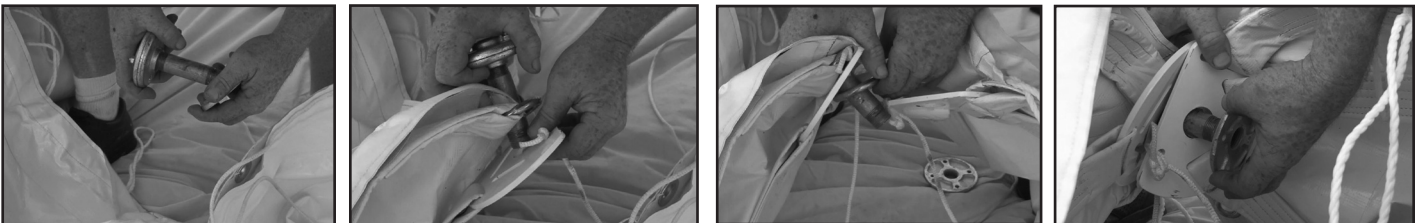
- Roll out drop cloth to protect the tent from dirt and abrasions.

Set Up Instructions

- Unroll and unfold the tent top pieces on the drop cloth. There are 8 tent sections needed to install a 60'x240' Premiere II Pole Tent: two 60'x30' end sections and six 60'x30' mid sections. All lace lines are universal lace lines, so specific orientation of sections is not required. Do not walk or stand on the tent fabric.



- Lace the tent together:
 - Line up the two powder coated stainless steel plates and steel rings (the lace side of the lace line will always be on the bottom).
 - Insert the galvanize nipple through the steel ring and powder coated stainless steel plate of one section, then through the steel ring and powder coated stainless steel plate of the second section. Secure the ends of the nipple with the floor flanges. This creates one solid center pole pin location.



- Starting in the middle and working toward the edge pull the first lace up through the first small grommet. Pull the second lace up through the second grommet, then through the loop of the first lace.
- While lacing the tent, be sure to connect the hook and loop rain flap to cover the lace line. This eliminates the need to crawl on the tent after it has been laced.

- e. Continue in this fashion until the third grommet from the edge of the tent is reached. The third lace should be twice as long as the other loops (this is referred to as a double loop).
- f. Pull the final two lines through the grommets and loop the second lace from the tent perimeter into the first lace (the lace is now going towards the direction of the double loop). Pull the third lace (double loop) through the second loop. The third lace (double loop) should now be strung through 2 loops (the second loop and the fourth loop).
- g. Tie off just past the third grommet; this secures the entire lace line.
- h. Connect the hook and loop located on the valance section at the end of each lace line.
- i. Repeat this method to secure all other lace lines.



3. Attach the tie back straps to the plates on the tent top. Make sure the two center holes in the plates are aligned for the side poles, while hooking the tie back straps to the larger holes towards the edge of the plates.



4. Feed the webbing straps attached to the tent top through the box ratchet assemblies. Crank the ratchet until the reel bars have turned at least 2 times, as this eliminates the chance of slippage.

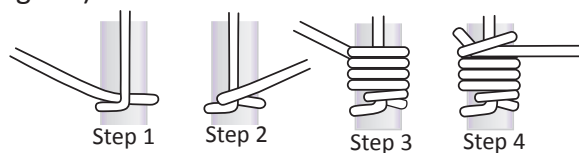


5. Place one pole at each corner location and at each grommet location.

6. The corner poles are now ready to be erected. Insert the pole pin through the metal plate and the brass grommet (Very Important: make sure the pin goes through both the metal plate and brass grommet; if done improperly this may cause damage to the tent top). Set the corner pole vertically straight and tighten the ratchets to keep the poles erect. Repeat at all other side and corner poles.



7. Tie off the jump rope attached at each pole location. This rope is used to keep the pole in place in the wind so that the tent does not lift off the side pole pin. Secure the jump rope by pulling it six to twelve inches down the pole, bringing it around the pole and then between the pole and the rope itself. Pull it back taut to create tension on the vertical length. Now wrap the rope around the pole and vertical portion of the jump rope creating a tight coil that keeps the rope from slipping up. On the last coil, pull the end of the rope through to tie it off. (see diagram)



8. If using a multiple piece center pole, make sure it is properly bolted together.



9. Insert the center pole pin through the center nipple/floor flange assembly; make sure that the pin is not caught on any part of the tent top. Lift the top using the center pole(s) and set pole at an angled position so the top is completely off the ground. Insert a tent stake into the helper hole on the center pole if available.



10. Tie off the jump rope attached to the center pole location (eye level: 5-6 feet).

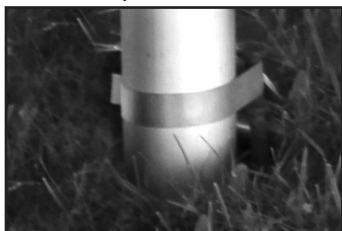


11. Remove the drop cloth.

12. Lift the center pole(s) into a vertical position. Make sure each pole is sitting on an anti-sink wood pole plate.

13. Secure the side poles by tightening the ratchets at each location.

14. Drive one double head stake vertically into the ground parallel to the center pole. Wrap the 5' center pole ratchet strap around the double head stake and the center pole. Tighten ratchet.



15. Roll excess ratchet straps and secure into the box ratchet buckle.

16. The tent top should now be complete. If sidewalls are desired, spread out a drop cloth and unroll the sidewalls between the stakes and the side poles around the perimeter of the tent. Be sure to use a drop cloth to keep the walls clean. Starting at a side pole, clip the sidewall snap hooks to the rope line that is attached to the tent top.

Sidewall Rope Tensioning: For new tents and during its life cycle, it may be necessary to tighten the sidewall support rope that runs the perimeter of the tent top. After the tent has been set up and tensioned, locate the corner where the sidewall rope starts and stops. Securely tie off one end of the rope. While pulling against the tie-off point, work your way around the perimeter of the tent, pulling out any unnecessary rope slack. Tie off the opposite end of the rope once reached.

Striking Instructions

1. Loosen the ratchet buckle assemblies on side and corner poles one at a time making sure to keep the ratchet strap wrapped around the ratchet and still staked at all corners and lace lines to keep the tent top from blowing away. These straps should not be completely removed until the center poles are removed.
2. Remove the double head stake and ratchet from the center pole.
3. Loosen and angle the center pole to relieve tension.
4. Roll out the drop cloth underneath the tent top.
5. Remove the center pole(s).
6. Separate tie down straps from the box ratchets and remove corner and side poles.
7. Disconnect all of the tie back straps from the tent top.
8. Unlace the tent top:
 - a. Separate the valance hook and loop and unhook the rain flap until the lace line tie-off is accessed.
 - b. Untie knot and unlace the tent top section while disconnecting the rain flap.
 - c. Remove the galvanize nipple/ floor flange.
9. Fold and roll the tent top pieces as tight as possible. Remember not to stand or walk on the tent top fabric.
10. Bagging (always use a drop cloth to protect the tent top from dirt and abrasions while bagging):
 - a. For Wrap-Around Tent Bag:
 - i. Lay the bag next to the tent top with the side-release buckles facing down. Roll the tent top onto the center of the bag.
 - ii. Connect the two short male and female side-release buckles; pull tight.
 - iii. Connect the remaining side-release buckle and pull tight.
 - b. For Round-Bottom Bag:
 - i. Place the folded tent top into the upright vertical position.
 - ii. Pull the round bottom tent bag over the upright tent top.
 - iii. Turn the tent top and bag over, pull the draw string tight and tie off.
11. Fold and roll up the drop cloth.

FLAME RESISTANCE

Celina fabrics are inherently flame resistant. Open flames should never be used under any tent, canopy, structure, or shelter. Fabrics meet or exceed one or more of the following flammability specifications:

| | | |
|----------|----------------|-------------|
| NFPA-701 | CPAI-84 | ASTM D 6413 |
| BS 5438 | BS 7837 (1996) | DIN 4102-B1 |

TENT CARE

For maximum life of Celina fabrics, Celina recommends regular cleaning with the use of a soft brush with neutral soaps or cleaners, such as Celina Cleaning Products, Ivory dish soap, or warm water. Thorough rinsing and drying is required before storing the fabric.

Things that will cause premature degradation and may reduce life expectancy of a tent:

- Improper handling during installation/dismantling on rough surfaces will create pinholes and abrasions. ALWAYS USE A DROP CLOTH/GROUND CLOTH DURING INSTALLATION AND DISMANTLING.
- Walking on the fabric during installation/dismantling will create pinholes and abrasions.
- Extended use of the tent without cleaning
- Accumulation of dirt on the vinyl surface will promote the growth of mold and mildew and premature wear.
- Storage of vinyl that has not been dried thoroughly. Even a slightly damp product can promote the growth of mildew when folded and stored. Mold and mildew may require harsh cleaners to remove, which may cause premature wear. The best solution is to take every precaution to keep mold and mildew from growing in the first place. NEVER STORE A TENT, CANOPY, STRUCTURE, OR SHELTER IN A WET OR DAMP CONDITION.
- Harsh detergents and cleaners, which contain a solvent or bleach. The longer the exposure of PVC vinyl to these products, the more it will reduce the life of the PVC vinyl.
- High-abrasive cleaners, including wire brushes, power washers and/or commercial washing machines will result in premature wear and deterioration of tent fabrics.
- Wind whip – Loosely tensioned fabric that whips in the wind will damage over time.

Vinyl Repair

Celina's repair products provide an easy solution to tears, punctures, or holes. Repair kits and tools are available online at www.GetTent.com or by contacting Celina.

PRODUCT WARRANTY

Celina Tent Inc. warrants that this product will be free from defects in material and workmanship for a period of one (1) year following the date of purchase. Defects are limited to any defect which is a result of the manufacturing process. Excluded are holes, punctures, or other damages which can be caused during normal installation of a tent whenever proper procedures are not followed. Celina at its option will repair or replace this product or any component of product found to be defective during this warranty period. This warranty is valid for the original purchaser only, and is not transferable. This warranty does not cover normal wear or damage resulting from negligent use or misuse of the product, use contrary to instructions, repairs or alterations by anyone other than Celina, or forces of nature. Celina Tent is not responsible for methods that installers may choose to erect and secure the tent to the ground. Celina's responsibility is limited to the manufacture of the tent parts and materials.

This warranty is in lieu of all other warranties, and there are no warranties, expressed or implied, including warranties of merchantability of fitness for a particular purpose, which extend beyond the description on the face hereof. Celina Tent Inc. shall not be liable for any incidental or consequential damages. Some jurisdictions do not allow the exclusion of implied warranties or the imitation on incidental or consequential damages, so the above exclusions and limitations may not apply to you.

CALL BEFORE YOU DIG OR STAKE

| STATE | CENTER | PHONE |
|---------------|---|--------------|
| Alabama | Alabama Line Location | 800/292-8525 |
| Alaska | Locate Call Center of Alaska | 800/478-3121 |
| Arizona | Arizona Blue Stake | 800/782-5348 |
| Arkansas | Arkansas One Call System | 800/482-8998 |
| California | Underground Service Alert | 800/227-2600 |
| Colorado | Utility Notification Center of Colorado | 800/922-1987 |
| Connecticut | Call Before You Dig | 800/922-4455 |
| Delaware | Miss Utility of Delaware | 800/282-8555 |
| Florida | Call Sunshine | 800/432-4770 |
| Georgia | Utilities Protection Center | 800/282-7411 |
| Hawaii | Underground Service Alert North | 800/227-2600 |
| | Underground Service Alert South | 800/227-2600 |
| Idaho | Palouse Empire Underground | 800/822-1974 |
| | Utilities Underground Location Center | 800/424-5555 |
| | Dig Line | 800/342-1585 |
| | One Call Concepts - Idaho | 800/626-4950 |
| | Shoshone County One Call | 800/398-3285 |
| Illinois | Chicago Utility Alert Network | 800/892-0123 |
| Indiana | Indiana Underground Plant Protection | 800/382-5544 |
| Iowa | Underground Plant Location Service | 800/292-8989 |
| Kansas | Kansas One-Call Center | 800/344-7233 |
| Kentucky | Kentucky Underground Protection | 800/752-6007 |
| Louisiana | Louisiana One Call System | 800/272-3020 |
| Maine | Dig Safe - Maine | 888/344-7233 |
| Maryland | Miss Utility | 800/257-7777 |
| | Miss Utility of DESMARVA | 800/282-8555 |
| Massachusetts | Dig Safe-Massachusetts | 888/344-7233 |
| Michigan | Miss Dig System | 800/482-7171 |
| Minnesota | Gopher State One Call | 800/252-1166 |
| Mississippi | Mississippi One Call System | 800/227-6477 |
| Missouri | Missouri One Call System | 800/344-7483 |
| Montana | Utilities Underground Location Center | 800/424-5555 |
| | Montana U-Dig | 800/551-8344 |
| Nebraska | Diggers Hotline | 800/331-5666 |
| Nevada | Underground Service Alert North | 800/227-2600 |
| New Hampshire | Dig Safe-New Hampshire | 888/344-7233 |
| New Jersey | Garden State Underground | 800/272-1000 |
| New Mexico | New Mexico One Call System | 800/321-2537 |
| | Las Cruces-Dona Ana Utility Council | 888/526-0400 |

| STATE | CENTER | PHONE |
|----------------------|--------------------------------------|--------------|
| New York | Dig Safely New York | 800/926-7962 |
| | New York City-Long Island One Call | 800/272-4480 |
| North Carolina | North Carolina One Call | 800/634-4949 |
| North Dakota | North Dakota One Call | 800/795-0555 |
| | Ohio Utilities Protective Service | 800/362-2764 |
| Ohio | Oil & Gas Producers Underground | 800/925-2988 |
| | Oklahoma | Call Okie |
| Oregon | Oregon Utilities Notification Center | 800/332-2344 |
| Pennsylvania | Pennsylvania One Call System | 800/242-1776 |
| Rhode Island | Dig Safe-Rhode Island | 888/344-7233 |
| South Carolina | Palmetto Utility Protection Service | 800/922-0983 |
| South Dakota | South Dakota One Call | 800/781-7474 |
| Tennessee | Tennessee One-Call System | 800/351-1111 |
| Texas | Texas One Call System | 800/245-4545 |
| | Texas Excavation Safety System | 800/344-8377 |
| Utah | Lone Star Notification System | 800/669-8344 |
| Vermont | Blue Stakes Location Center | 800/622-4111 |
| Virginia | Dig Safe - Vermont | 888/344-7233 |
| | Miss Utility of Virginia | 800/552-7001 |
| | Miss Utility | 800/257-7777 |
| Washington | Miss Utility of DELMARVA | 800/441-8355 |
| | Notification Center | 800/424-5555 |
| | Utilities Council of Cowlitz County | 360/425-2506 |
| | UpperYakima City Underground | 800/553-4344 |
| | Inland Empire Utility Coordinating | 509/456-8000 |
| West Virginia | Miss Utility of West Virginia | 800/245-4848 |
| Wisconsin | Diggers Hotline | 800/242-8511 |
| Wyoming | Wyoming One Call | 800/348-1030 |
| | Call Before you Dig Wyoming | 800/849-2476 |
| District of Columbia | Miss Utility | 800/257-7777 |
| Canada | Alberta One Call | 800/242-3447 |
| | Ontario | 800/400-2255 |
| | Info-Excavation (Quebec) | 800/663-9228 |
| | BC One Call | 800/474-6886 |
| | Manitoba - Winnipeg | 240/480-1212 |
| | Manitoba & Saskatchewan Safe | 800/827-5094 |

SUPPORT

For technical questions or replacement parts, please contact:

Celina Tent, Inc. / GetTent.com
 5373 State Route 29
 Celina, Ohio 45822-9210 USA

Telephone: 419-586-3610

Fax: 419-584-0949

Website: www.GetTent.com

Email: support@celinatent.com

YouTube: <http://www.youtube.com/user/celinatent>

Facebook: <http://www.facebook.com/celinatent>

Google +: <http://goo.gl/qvVdv>

Twitter: <http://twitter.com/celinatent>

LinkedIn: <http://www.linkedin.com/company/celina-tent-fabric-structures>